

sales@adamarine.com

**ANCHORED IN
RELIABILITY,
LINKED IN
EVERY PORT**

MARINE VALVES

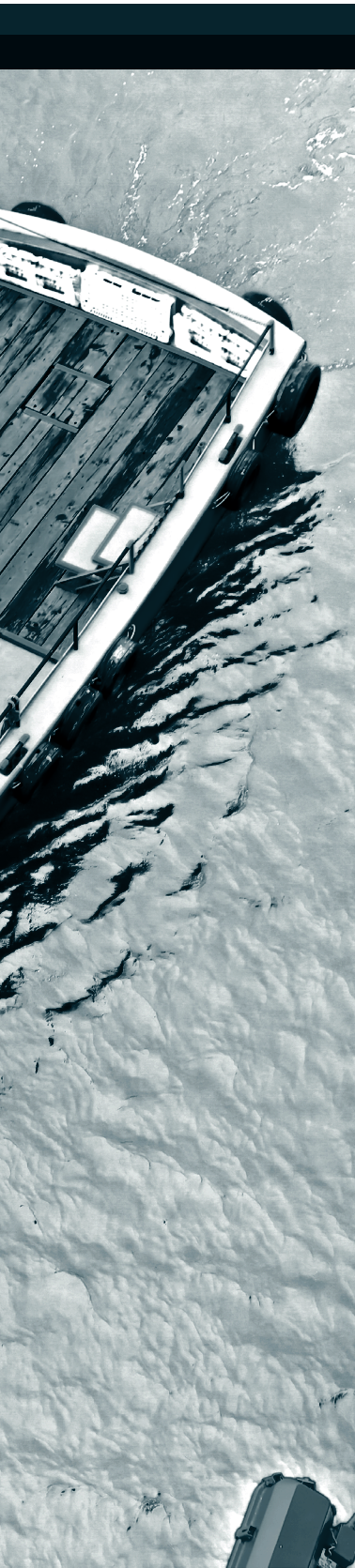


adamarine.com



WHO WE ARE





Adamar was founded in 2003 in Aliaga/Izmir by Mr. Taner Topkara, who has been the President since the beginning, to serve and supply the vessels calling Turkish Ports & Straits. Over the years, thanks to the commitment of our qualified & experienced staff, whose hard work has enabled us to quickly adapt to the ever-changing demands of the ship supply industry, we proudly managed to become a sector leader in the region and expanded our presence worldwide.

The journey started with minimal capacity and manpower, nowadays extends to more than 500 employees, four national (Izmir, Istanbul, Bosphorus, Mersin), and five international offices (Shanghai, Hong Kong, Singapore, Piraeus, Rotterdam), and more than 20000 m2 aggregate storage capacity.

We are proud to be a member of ISSA, IMPA, TURSSA, and TRADE NET. Being certified with ISO9001, ISO22000, ISO14001, and ISO45001, we run our business in full compliance with international regulations and quality, safety & environmental standards.

Our dynamic, solution-oriented and competent team quickly evaluates and processes your inquiries, submits our quotations with the most competitive prices, provides the comfort of 24/7 accessibility and executes on-time deliveries and operations in all ports, terminals and seaways of Türkiye.

Growing faster & stronger each day and being aware of the gap that currently exists in the maritime market regarding marine valves supply, we decided to make a significant investment in marine valves supply sector and established ADAMAR VALVE in 2018.

ADAMAR VALVES is proud to serve their customers with an extensive & comprehensive stock of typical marine valves.

All our products meet the JIS and DIN standards and they are certified by DNV Class society. Our broad product range includes all types of bronze, cast steel and cast-iron marine valves. They are being manufactured by DNV, ABS, NK, BV & LR Class approved manufacturers.

An expertized team in this field is ready to support you in all destinations where you need from our strategic stock points in Türkiye, the Netherlands and China where we can provide a 24/7 expert product advise and same-day supply and shipped out.

No matter where your vessel is trading, just contact us. We will ensure your order is dispatched as soon as possible and that it safely reaches your vessel on time.

If you are asking for high-quality, cost-effective products and on time delivery, all you should do is to rely on us & join us...

GO CONFIDENTLY WITH US...

PAGE CONTENT





JIS VALVES

GLOBE VALVE - STRAIGHT - BRONZE JIS 5K & 16K.....	08
GLOBE VALVE - ANGLE - BRONZE JIS 5K & 16K.....	09
HOSE VALVE - STRAIGHT JIS 5K & 10K.....	10
HOSE VALVE - ANGLE JIS 5K & 10K.....	11
GLOBE VALVE - STRAIGHT JIS 20K & 46K.....	12
GLOBE VALVE - ANGLE JIS 20K & 46K.....	13
GATE VALVE - BRONZE JIS 5K & 10K.....	14
SELF CLOSING VALVE JIS 5K & 10K.....	15
GLOBE VALVE - STRAIGHT - CAST IRON JIS 5K.....	16
GLOBE VALVE - STRAIGHT - CAST STEEL JIS 5K.....	17
GLOBE VALVE - STRAIGHT - CAST IRON JIS 10K.....	18
GLOBE VALVE - STRAIGHT - CAST STEEL JIS 10K.....	19
GLOBE VALVE - STRAIGHT - CAST IRON JIS 16K.....	20
GLOBE VALVE - STRAIGHT - CAST STEEL JIS 20K.....	21
GLOBE VALVE - ANGLE - CAST IRON JIS 5K.....	22
GLOBE VALVE - ANGLE - CAST STEEL JIS 5K.....	23
GLOBE VALVE - ANGLE - CAST IRON JIS 10K.....	24
GLOBE VALVE - ANGLE - CAST STEEL JIS 10K.....	25
GLOBE VALVE - ANGLE - CAST IRON JIS 16K.....	26
GLOBE VALVE - ANGLE - CAST STEEL JIS 20K.....	27
GATE VALVE - CAST IRON JIS 5K.....	28
GATE VALVE - CAST STEEL JIS 5K.....	29
GATE VALVE - CAST IRON JIS 10K.....	30
GATE VALVE - CAST STEEL JIS 10K.....	31
STORM VALVE - VERTICAL - CAST STEEL JIS 5K.....	32
STORM VALVE - VERTICAL - CAST STEEL JIS 10K.....	33
STORM VALVE - ANGLE - CAST IRON JIS 5K.....	34
STORM VALVE - ANGLE - CAST STEEL JIS 10K.....	35
QUICK CLOSING VALVE - STRAIGHT - BRONZE JIS 5K & JIS 10K.....	36
QUICK CLOSING VALVE - STRAIGHT - CAST STEEL JIS 5K & JIS 10K.....	37
QUICK CLOSING VALVE - ANGLE - BRONZE JIS 5K & JIS 10K.....	38
QUICK CLOSING VALVE - ANGLE - CAST STEEL JIS 5K & JIS 10K.....	39
BUTTERFLY VALVE - WAFER - CONCENTRIC.....	40
BUTTERFLY VALVE - WAFER - CONCENTRIC.....	41
BUTTERFLY VALVE - WAFER - CONCENTRIC.....	42
BUTTERFLY VALVE - SEMI LUG - CONCENTRIC.....	43
BUTTERFLY VALVE - LUG - CONCENTRIC.....	44
BUTTERFLY VALVE - LUG - CONCENTRIC.....	45
BUTTERFLY VALVE - LUG - CONCENTRIC.....	46
BUTTERFLY VALVE - FLANGED SHORT - CONCENTRIC.....	47
BUTTERFLY VALVE - FLANGED LONG - CONCENTRIC.....	48
DUO CHECK VALVE - WAFER - CONCENTRIC.....	49
AIR VENT HEAD DISC TYPE.....	50

DIN VALVES

GLOBE VALVE - STRAIGHT - CAST IRON DIN PN10.....	54
GLOBE VALVE - STRAIGHT - NODULAR CAST IRON DIN PN10.....	55
GLOBE VALVE - STRAIGHT - CAST STEEL DIN PN40.....	56
GLOBE VALVE - ANGLE - CAST IRON DIN PN10.....	57
GLOBE VALVE - ANGLE - NODULAR CAST IRON DIN PN10.....	58
GLOBE VALVE - ANGLE - CAST STEEL DIN PN40.....	59
STORM VALVE - VERTICAL - CAST STEEL DIN PN10.....	60
STORM VALVE - ANGLE - CAST STEEL DIN PN10.....	61
QUICK CLOSING VALVE - STRAIGHT - DUCTILE IRON DIN PN10.....	62
QUICK CLOSING VALVE - ANGLE - DUCTILE IRON DIN PN10.....	63
GATE VALVE - NODULAR CAST IRON DIN PN10.....	64
BUTTERFLY VALVE - LUG - CONCENTRIC.....	65
BUTTERFLY VALVE - LUG - CONCENTRIC.....	66
BUTTERFLY VALVE - LUG - CONCENTRIC.....	67
BUTTERFLY VALVE - FLANGED - CONCENTRIC.....	68
BUTTERFLY VALVE - FLANGED - CONCENTRIC.....	69

DOUBLE ECCENTRIC VALVES

INFORMATION OF HIGH PERFORMANCE VALVES.....	72
SPECIFICATION.....	73
INFORMATION OF CARGO OIL VALVES.....	74
SPECIFICATION.....	75
MODEL: HWR.....	76
MODEL: HWT.....	77
MODEL: HWP-A73.....	78
MODEL: HSR.....	79
MODEL: HST.....	80
MODEL: HSP-A74S.....	81
MODEL: HFR.....	82
MODEL: HFT.....	83
MODEL: HFP-A75.....	84
MODEL: OSR.....	85
SPARE SEATS OF ACE VALVES.....	86
FLANGE CONNECTION.....	87
TORQUE DETAILS.....	88



JIS

MARINE VALVES

8

APPLICATION

Aboard ships for hot and cold water, fresh water, sea water, oil and steam.

MATERIAL SPECIFICATION

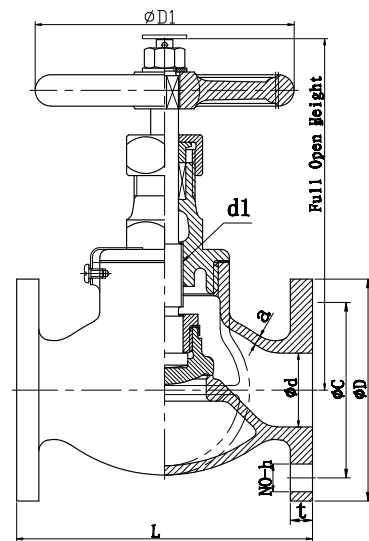
BODY : BRONZE
BONNET : BRONZE
SEAT : BRONZE
DISC : BRONZE
STEM : BRASS

TECHNICAL FEATURES

MODEL : JIS F7301 - STOP - 5K
 JIS F7351 - SDNR - 5K
 JIS F7303 - STOP - 16K
 JIS F7409 - SDNR - 16K
CONNECTION : JIS 5K/16K
CERTIFICATION : 3.1 MILL CERTIFICATE

DIMENSION SPECIFICATION

L : FACE TO FACE
D : F.O.D
C : P.C.D
NO : NUMBER OF HOLES
H : DIAMETER OF HOLES
W : WEIGHT



JIS 5K

CODE STOP	CODE SDNR	DN	L	D	C	NO	h	W
750121	751051	15	100	80	60	4	12	2,02
750122	751052	20	110	85	65	4	12	2,86
750123	751053	25	120	95	75	4	12	3,54
750124	751054	32	140	115	90	4	15	5
750125	751055	40	160	120	95	4	15	6,48
750126	751056	50	210	130	105	4	15	14,7
750127	751057	65	250	155	130	4	15	21,3

JIS 16K

CODE STOP	CODE SDNR	DN	L	D	C	NO	h	W
750141	751071	15	110	95	70	4	15	2,76
750142	751072	20	120	100	75	4	15	3,72
750143	751073	25	130	125	90	4	19	5,2
750144	751074	32	160	135	100	4	19	6,91
750145	751075	40	180	140	105	4	19	8,43
750146	751076	50	220	155	120	8	19	19,6
750147	751077	65	270	175	140	8	19	28,3



VALVE TURKIYE

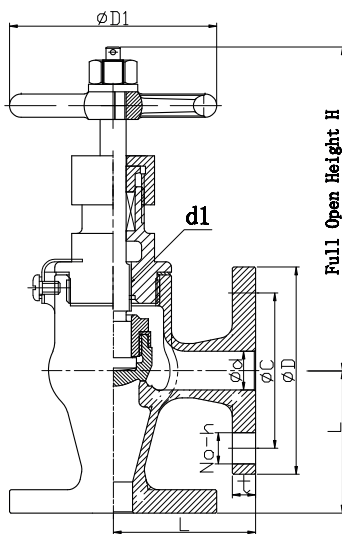
+90 232 616 17 19
 valves@adamarine.com

VALVE EUROPE

+31 180 22 4000
 valves.nl@adamarine.com

VALVE ASIA

+86 186 2606 6553
 valves.ch@adamarine.com

**APPLICATION**

Aboard ships for hot and cold water, fresh water, sea water, oil and steam.

MATERIAL SPECIFICATION

BODY : BRONZE
BONNET : BRONZE
SEAT : BRONZE
DISC : BRONZE
STEM : BRASS

TECHNICAL FEATURES

MODEL : JIS F7302 - STOP - 5K
 JIS F7352 - SDNR - 5K
 JIS F7304 - STOP - 16K
 JIS F7410 - SDNR - 16K

CONNECTION : JIS 5K/16K

CERTIFICATION : 3.1 MILL CERTIFICATE

DIMENSION SPECIFICATION

L : CENTER TO FACE
D : F.O.D
C : P.C.D
NO : NUMBER OF HOLES
H : DIAMETER OF HOLES
W : WEIGHT

JIS 5K

CODE STOP	CODE SDNR	DN	L	D	C	NO	h	W
750131	751061	15	55	80	60	4	12	1,98
750132	751062	20	60	85	65	4	12	2,73
750133	751063	25	65	95	75	4	12	3,44
750134	751064	32	80	115	90	4	15	4,77
750135	751065	40	85	120	95	4	15	5,99
750136	751066	50	100	130	105	4	15	12,9
750137	751067	65	115	155	130	4	15	18,2

JIS 16K

CODE STOP	CODE SDNR	DN	L	D	C	NO	h	W
750151	751081	15	70	95	70	4	15	2,73
750152	751082	20	75	100	75	4	15	3,65
750153	751083	25	85	125	90	4	19	5,16
750154	751084	32	95	135	100	4	19	6,72
750155	751085	40	100	140	105	4	19	8,13
750156	751086	50	120	155	120	8	19	18,0
750157	751087	65	130	175	140	8	19	25,0

VALVE TURKIYE

+90 232 616 17 19
 valves@adamarine.com

VALVE EUROPE

+31 180 22 4000
 valves.nl@adamarine.com

VALVE ASIA

+86 186 2606 6553
 valves.ch@adamarine.com

HOSE VALVE STRAIGHT | JIS 5K & 10K

10

APPLICATION

Aboard ships for hot and cold water, fresh water, sea water, oil and steam.

MATERIAL SPECIFICATION

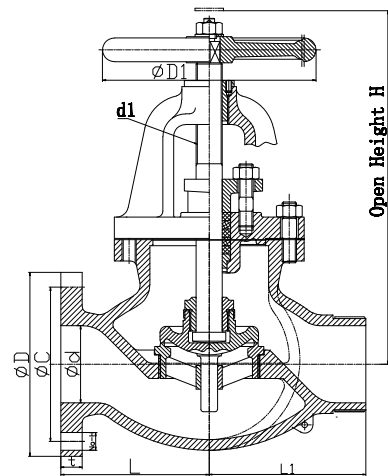
BODY : BRONZE - GG.25
BONNET : BRONZE - GG.25
SEAT : BRONZE
DISC : BRONZE
STEM : BRASS

TECHNICAL FEATURES

MODEL : JIS F7334
COUPLING : W/NAKAJIMA
CONNECTION : JIS 5K & JIS 10K
CERTIFICATION : 3.1 MILL CERTIFICATE

DIMENSION SPECIFICATION

L : FACE TO FACE
D : F.O.D
C : P.C.D
NO : NUMBER OF HOLES
H : DIAMETER OF HOLES
W : WEIGHT



JIS 5K

CODE	DN	L	D	C	NO	h	W
751701	15	73	80	60	4	12	2,51
751703	25	78	95	75	4	12	3,55
751711	40	128,5	120	95	4	15	6,26
751716	50	159,8	130	105	4	15	12,9

JIS 10K

CODE	DN	L	D	C	NO	h	W
751702	15	73	95	70	4	15	2,76
751704	25	83	125	90	4	19	4,15
751712	40	133,5	140	105	4	19	8,43
751717	50	164,8	155	120	4	19	15,4
751718	65	199,8	175	140	4	19	27,8

JIS 5K (GG-25)

CODE	DN	L	D	C	NO	h	W
751731	50	159,8	130	105	4	15	12,9

JIS 10K (GG-25)

CODE	DN	L	D	C	NO	h	W
751732	50	164,8	155	120	4	19	15,4
751733	65	199,8	175	140	4	19	27,8



VALVE TURKIYE

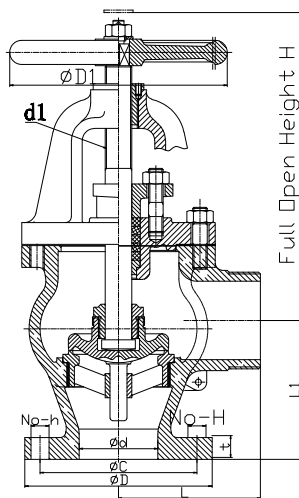
+90 232 616 17 19
 valves@adamarine.com

VALVE EUROPE

+31 180 22 4000
 valves.nl@adamarine.com

VALVE ASIA

+86 186 2606 6553
 valves.ch@adamarine.com



APPLICATION

Aboard ships for hot and cold water, fresh water, sea water, oil and steam.

MATERIAL SPECIFICATION

- BODY** : BRONZE - GG.25
- BONNET** : BRONZE - GG.25
- SEAT** : BRONZE
- DISC** : BRONZE
- STEM** : BRASS

TECHNICAL FEATURES

- MODEL** : JIS F7334
- COUPLING** : W/NAKAJIMA
- CONNECTION** : JIS 5K & JIS 10K
- CERTIFICATION** : 3.1 MILL CERTIFICATE

DIMENSION SPECIFICATION

- L** : CENTER TO FACE
- D** : F.O.D
- C** : P.C.D
- NO** : NUMBER OF HOLES
- H** : DIAMETER OF HOLES
- W** : WEIGHT

JIS 5K

CODE	DN	L	D	C	NO	h	W
751706	15	68	80	60	4	12	2,41
751708	25	78	95	75	4	12	3,44
751713	40	123,5	120	95	4	15	5,91
751721	50	154,8	130	105	4	15	11

JIS 10K

CODE	DN	L	D	C	NO	h	W
751707	15	73	95	70	4	15	2,72
751709	25	83	125	90	4	19	4,04
751714	40	123,5	140	105	4	19	8,19
751722	50	159,8	155	120	4	19	14,3
751723	65	179,8	175	140	4	19	23

JIS 5K (GG-25)

CODE	DN	L	D	C	NO	h	W
751735	50	159,8	130	105	4	12	5,91

JIS 10K (GG-25)

CODE	DN	L	D	C	NO	h	W
751736	50	159,8	155	120	4	19	14,3
751737	65	179,8	175	140	4	19	23

VALVE TURKIYE

+90 232 616 17 19
valves@adamarine.com

VALVE EUROPE

+31 180 22 4000
valves.nl@adamarine.com

VALVE ASIA

+86 186 2606 6553
valves.ch@adamarine.com

12

APPLICATION

Aboard ships for hot and cold water, fresh water, sea water, oil and steam.

MATERIAL SPECIFICATION

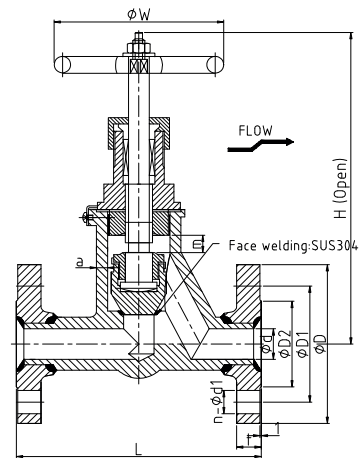
BODY : FORGED STEEL
BONNET : FORGED STEEL
SEAT : SUS316
DISC : SUS316
STEM : SUS316

TECHNICAL FEATURES

MODEL : JIS F7421 - 20K
 JIS F7336 - 46K
CONNECTION : JIS 20K & JIS 46K
CERTIFICATION : DNV-GL CLASS CERTIFICATE

DIMENSION SPECIFICATION

L : FACE TO FACE
D : F.O.D
C : P.C.D
NO : NUMBER OF HOLES
H : DIAMETER OF HOLES
W : WEIGHT



JIS 20K

CODE	DN	L	D	C	NO	h	W
750611	15	140	95	70	4	15	4,4
750612	20	160	100	75	4	15	5,9
750613	25	180	125	90	4	15	7,7

JIS 46K

CODE	DN	L	D	C	NO	h	W
750741	15	150	115	80	4	19	5,6
750742	20	170	120	85	4	19	7,09
750743	25	200	130	95	4	19	9,46



VALVE TURKIYE

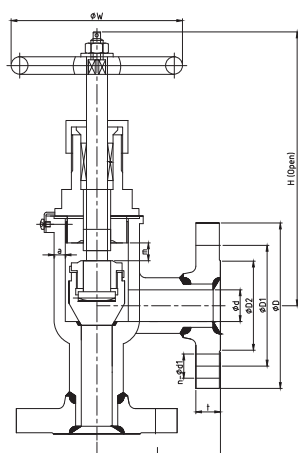
+90 232 616 17 19
 valves@adamarine.com

VALVE EUROPE

+31 180 22 4000
 valves.nl@adamarine.com

VALVE ASIA

+86 186 2606 6553
 valves.ch@adamarine.com



APPLICATION

Aboard ships for hot and cold water, fresh water, sea water, oil and steam.

MATERIAL SPECIFICATION

- BODY** : FORGED STEEL
- BONNET** : FORGED STEEL
- SEAT** : SUS316
- DISC** : SUS316
- STEM** : SUS316

TECHNICAL FEATURES

- MODEL** : JIS F7422 - 20K
JIS F7337 - 46K
- CONNECTION** : JIS 20K & JIS 46K
- CERTIFICATION** : DNV-GL CLASS CERTIFICATE

DIMENSION SPECIFICATION

- L** : CENTER TO FACE
- D** : F.O.D
- C** : P.C.D
- NO** : NUMBER OF HOLES
- H** : DIAMETER OF HOLES
- W** : WEIGHT

JIS 20K

CODE	DN	L	D	C	NO	h	W
750626	15	75	95	70	4	15	4,2
750627	20	80	100	75	4	15	5,6
750628	25	95	125	90	4	15	7,2

JIS 46K

CODE	DN	L	D	C	NO	h	W
750756	15	90	115	80	4	19	5,99
750757	20	95	120	85	4	19	7
750758	25	100	130	95	4	19	9,11

VALVE TURKIYE

+90 232 616 17 19
valves@adamarine.com

VALVE EUROPE

+31 180 22 4000
valves.nl@adamarine.com

VALVE ASIA

+86 186 2606 6553
valves.ch@adamarine.com

14

APPLICATION

Aboard ships for hot and cold water, fresh water, sea water, oil and steam.

MATERIAL SPECIFICATION

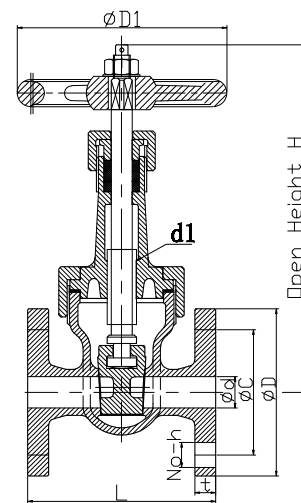
BODY : BRONZE
BONNET : BRONZE
SEAT : BRONZE
DISC : BRONZE
STEM : BRASS

TECHNICAL FEATURES

MODEL : JIS F7367
 JIS F7368
CONNECTION : JIS 5K & JIS 10K
CERTIFICATION : 3.1 MILL CERTIFICATE

DIMENSION SPECIFICATION

L : FACE TO FACE
D : F.O.D
C : P.C.D
NO : NUMBER OF HOLES
H : DIAMETER OF HOLES
W : WEIGHT



JIS 5K

CODE	DN	L	D	C	NO	h	W
750951	15	90	80	60	4	12	2,29
750952	20	100	85	65	4	12	2,98
750953	25	110	95	75	4	12	4,1
750954	32	130	115	90	4	15	5,79
750955	40	140	120	95	4	15	7,78

JIS 10K

CODE	DN	L	D	C	NO	h	W
750961	15	100	95	70	4	15	2,96
750962	20	110	100	75	4	15	3,89
750963	25	120	125	90	4	19	5,82
750964	32	140	135	100	4	19	7,52
750965	40	150	140	105	4	19	9,71



VALVE TURKIYE

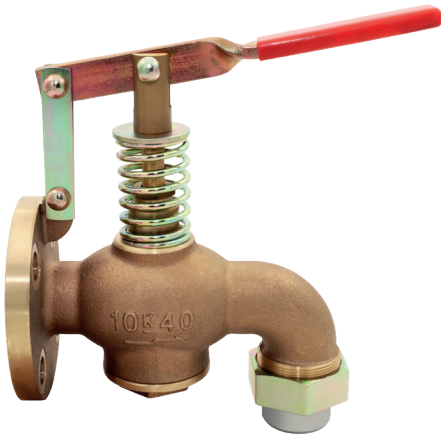
+90 232 616 17 19
 valves@adamarine.com

VALVE EUROPE

+31 180 22 4000
 valves.nl@adamarine.com

VALVE ASIA

+86 186 2606 6553
 valves.ch@adamarine.com



APPLICATION

Aboard ships for hot and cold water, fresh water, sea water, oil and steam.

MATERIAL SPECIFICATION

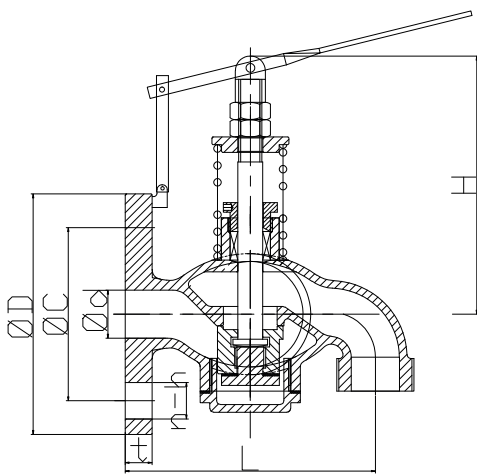
- BODY** : BRONZE
- BONNET** : BRONZE
- SEAT** : BRONZE
- DISC** : BRONZE
- STEM** : BRASS

TECHNICAL FEATURES

- MODEL** : JIS F7398
: U-TYPE
- CONNECTION** : JIS 5K & JIS 10K
- CERTIFICATION** : 3.1 MILL CERTIFICATE

DIMENSION SPECIFICATION

- L** : CENTER TO FACE
- D** : F.O.D
- C** : P.C.D
- NO** : NUMBER OF HOLES
- H** : DIAMETER OF HOLES
- W** : WEIGHT



CODE	DN	L	D	C	NO	h	W
758501	15	110	95	70	4	15	4,3
758502	20	130	100	75	4	15	4,7
758503	25	130	125	90	4	19	4,9
758504	32	180	135	100	4	19	8,1
758505	40	180	140	105	4	19	8,3

VALVE TURKIYE

+90 232 616 17 19
valves@adamarine.com

VALVE EUROPE

+31 180 22 4000
valves.nl@adamarine.com

VALVE ASIA

+86 186 2606 6553
valves.ch@adamarine.com

16

APPLICATION

Aboard ships for hot and cold water, fresh water, sea water, oil and steam.

MATERIAL SPECIFICATION

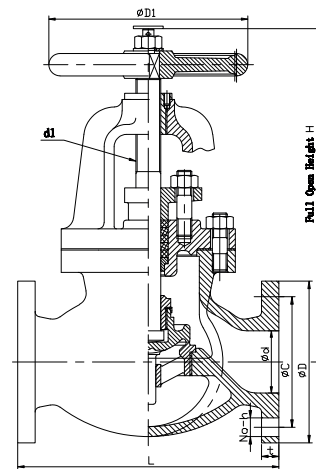
BODY : GG.25
BONNET : GG.25
SEAT : SUS316
DISC : SUS316
STEM : SUS316

TECHNICAL FEATURES

MODEL : JIS F7305 - STOP TYPE
 JIS F7353 - SDNR TYPE
CONNECTION : JIS 5K
CERTIFICATION : 3.1 MILL CERTIFICATE

DIMENSION SPECIFICATION

L : FACE TO FACE
D : F.O.D
C : P.C.D
NO : NUMBER OF HOLES
H : DIAMETER OF HOLES
W : WEIGHT



CODE STOP	CODE SDNR	DN	L	D	C	NO	h	W
750201	751101	50	210	130	105	4	15	14,7
750202	751102	65	250	155	130	4	15	21,3
750203	751103	80	280	180	145	4	19	27,7
750204	751104	100	340	200	165	8	19	40,8
750205	751105	125	410	235	200	8	19	57,6
750206	751106	150	480	265	230	8	19	80,3
750207	751107	200	570	320	280	8	23	139
750208	751108	250	740	385	345	12	23	246
750209	751109	300	840	430	390	12	23	377
750210	751110	350	940	480	435	12	25	462
750211	751111	400	1050	540	495	16	25	647



VALVE TURKIYE

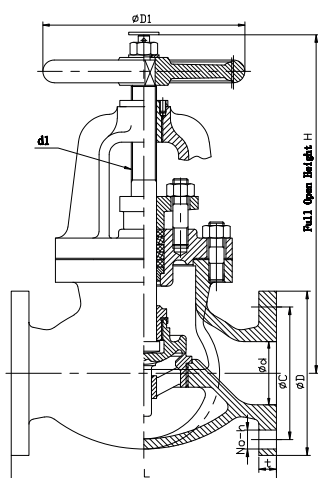
+90 232 616 17 19
 valves@adamarine.com

VALVE EUROPE

+31 180 22 4000
 valves.nl@adamarine.com

VALVE ASIA

+86 186 2606 6553
 valves.ch@adamarine.com



APPLICATION

Aboard ships for hot and cold water, fresh water, sea water, oil and steam.

MATERIAL SPECIFICATION

- BODY** : GS-C25
- BONNET** : GS-C25
- SEAT** : SUS316
- DISC** : SUS316
- STEM** : SUS316

TECHNICAL FEATURES

- MODEL** : JIS F7311 - STOP TYPE
: JIS F7311C - SDNR TYPE
- CONNECTION** : JIS 5K
- CERTIFICATION** : DNV-GL CLASS CERTIFICATE

DIMENSION SPECIFICATION

- L** : FACE TO FACE
- D** : F.O.D
- C** : P.C.D
- NO** : NUMBER OF HOLES
- H** : DIAMETER OF HOLES
- W** : WEIGHT

CODE STOP	CODE SDNR	DN	L	D	C	NO	h	W
750301	750310	50	210	130	105	4	15	14,7
750302	750311	65	250	155	130	4	15	21,3
750303	750312	80	280	180	145	4	19	27,7
750304	750313	100	340	200	165	8	19	40,8
750305	750314	125	410	235	200	8	19	57,6
750306	750315	150	480	265	230	8	19	80,3
750307	750316	200	570	320	280	8	23	139
750308	750401-C	250	740	385	345	12	23	246
750309	750402-C	300	840	430	390	12	23	377
750403	750403-C	350	940	480	435	12	25	462
750404	750404-C	400	1050	540	495	16	25	647

VALVE TURKIYE

+90 232 616 17 19
valves@adamarine.com

VALVE EUROPE

+31 180 22 4000
valves.nl@adamarine.com

VALVE ASIA

+86 186 2606 6553
valves.ch@adamarine.com

18

APPLICATION

Aboard ships for hot and cold water, fresh water, sea water, oil and steam.

MATERIAL SPECIFICATION

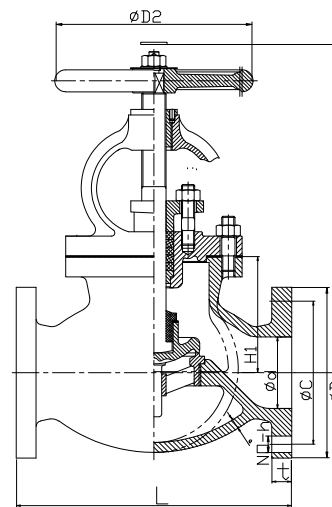
BODY : GG.25
BONNET : GG.25
SEAT : SUS316
DISC : SUS316
STEM : SUS316

TECHNICAL FEATURES

MODEL : JIS F7307 - STOP TYPE
 JIS F7377 - SDNR TYPE
CONNECTION : JIS 10K
CERTIFICATION : 3.1 MILL CERTIFICATE

DIMENSION SPECIFICATION

L : FACE TO FACE
D : F.O.D
C : P.C.D
NO : NUMBER OF HOLES
H : DIAMETER OF HOLES
W : WEIGHT



CODE STOP	CODE SDNR	DN	L	D	C	NO	h	W
750231	751131	50	220	155	120	4	19	17,9
750232	751132	65	270	175	140	4	19	26
750233	751133	80	300	185	150	8	19	29,8
750234	751134	100	350	210	175	8	19	44,7
750235	751135	125	420	250	210	8	23	70,3
750236	751136	150	490	280	240	8	23	96,4
750237	751137	200	570	330	290	12	23	159
750238	751138	250	740	400	355	12	25	257
750239	751139	300	840	445	400	16	25	378



VALVE TURKIYE

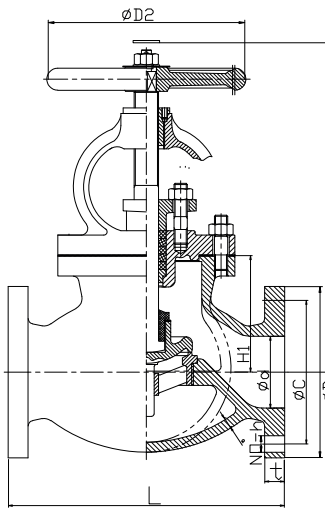
+90 232 616 17 19
 valves@adamarine.com

VALVE EUROPE

+31 180 22 4000
 valves.nl@adamarine.com

VALVE ASIA

+86 186 2606 6553
 valves.ch@adamarine.com



APPLICATION

Aboard ships for hot and cold water, fresh water, sea water, oil and steam.

MATERIAL SPECIFICATION

- BODY** : GS-C25
- BONNET** : GS-C25
- SEAT** : SUS316
- DISC** : SUS316
- STEM** : SUS316

TECHNICAL FEATURES

- MODEL** : JIS F7319 - STOP TYPE
: JIS F7471 - SDNR TYPE
- CONNECTION** : JIS 10K
- CERTIFICATION** : DNV-GL CLASS CERTIFICATE

DIMENSION SPECIFICATION

- L** : FACE TO FACE
- D** : F.O.D
- C** : P.C.D
- NO** : NUMBER OF HOLES
- H** : DIAMETER OF HOLES
- W** : WEIGHT

CODE STOP	CODE SDNR	DN	L	D	C	NO	h	W
750411	751201	50	220	155	120	4	19	17,9
750412	751202	65	270	175	140	4	19	26
750413	751203	80	300	185	150	8	19	29,8
750414	751204	100	350	210	175	8	19	44,7
750415	751205	125	420	250	210	8	23	70,3
750416	751206	150	490	280	240	8	23	96,4
750417	751207	200	570	330	290	12	23	159
750418	751208	250	740	400	355	12	25	257
750419	751209	300	840	445	400	16	25	378

VALVE TURKIYE

+90 232 616 17 19
valves@adamarine.com

VALVE EUROPE

+31 180 22 4000
valves.nl@adamarine.com

VALVE ASIA

+86 186 2606 6553
valves.ch@adamarine.com

20

APPLICATION

Aboard ships for hot and cold water, fresh water, sea water, oil and steam.

MATERIAL SPECIFICATION

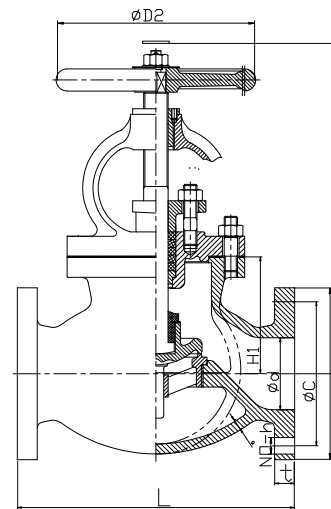
BODY : GG.25
BONNET : GG.25
SEAT : SUS316
DISC : SUS316
STEM : SUS316

TECHNICAL FEATURES

MODEL : JIS F7309 - STOP TYPE
 JIS F7375 - SDNR TYPE
CONNECTION : JIS 16K
CERTIFICATION : 3.1 MILL CERTIFICATE

DIMENSION SPECIFICATION

L : FACE TO FACE
D : F.O.D
C : P.C.D
NO : NUMBER OF HOLES
H : DIAMETER OF HOLES
W : WEIGHT



CODE STOP	CODE SDNR	DN	L	D	C	NO	h	W
750261	751151	50	220	155	120	8	19	19,6
750262	751152	65	270	175	140	8	19	28,3
750263	751153	80	300	200	160	8	23	40,4
750264	751154	100	350	225	185	8	23	56,9
750265	751155	125	430	270	225	8	25	89,5
750266	751156	150	500	305	260	12	25	123
750267	751157	200	570	350	305	12	25	188



VALVE TURKIYE

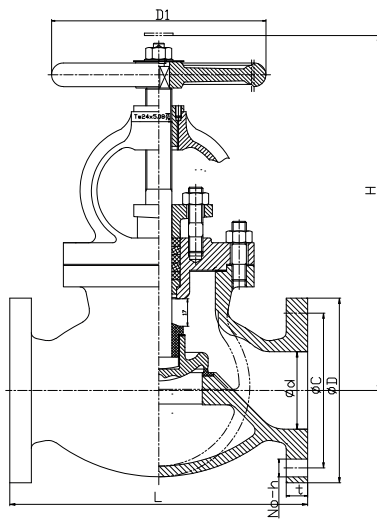
+90 232 616 17 19
 valves@adamarine.com

VALVE EUROPE

+31 180 22 4000
 valves.nl@adamarine.com

VALVE ASIA

+86 186 2606 6553
 valves.ch@adamarine.com



APPLICATION

Aboard ships for hot and cold water, fresh water, sea water, oil and steam.

MATERIAL SPECIFICATION

- BODY** : GS-C25
- BONNET** : GS-C25
- SEAT** : SUS316
- DISC** : SUS316
- STEM** : SUS316

TECHNICAL FEATURES

- MODEL** : JIS F7313 - STOP TYPE
: JIS F7473 - SDNR TYPE
- CONNECTION** : JIS 20K
- CERTIFICATION** : DNV-GL CLASS CERTIFICATE

DIMENSION SPECIFICATION

- L** : FACE TO FACE
- D** : F.O.D
- C** : P.C.D
- NO** : NUMBER OF HOLES
- H** : DIAMETER OF HOLES
- W** : WEIGHT

CODE STOP	CODE SDNR	DN	L	D	C	NO	h	W
750431	751231	32	190	135	100	4	19	14,4
750432	751232	40	200	140	105	4	19	16
750433	751233	50	230	155	120	8	19	21,6
750434	751234	65	270	175	140	8	19	30,4
750435	751235	80	300	200	160	8	23	43,5
750436	751237	100	350	225	185	8	23	62,3
750437	751238	125	430	270	225	8	25	95,7
750438	751239	150	500	305	260	12	25	133,3
750439	751240	200	560	350	305	12	25	296,1
750440	751241	250	660	430	380	12	27	339,1

VALVE TURKIYE

+90 232 616 17 19
valves@adamarine.com

VALVE EUROPE

+31 180 22 4000
valves.nl@adamarine.com

VALVE ASIA

+86 186 2606 6553
valves.ch@adamarine.com

22

APPLICATION

Aboard ships for hot and cold water, fresh water, sea water, oil and steam.

MATERIAL SPECIFICATION

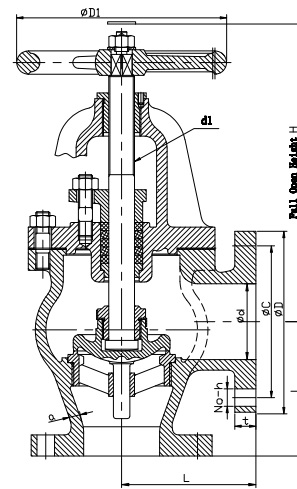
BODY : GG.25
BONNET : GG.25
SEAT : SUS316
DISC : SUS316
STEM : SUS316

TECHNICAL FEATURES

MODEL : JIS F7306 - STOP TYPE
 JIS F7354 - SDNR TYPE
CONNECTION : JIS 5K
CERTIFICATION : 3.1 MILL CERTIFICATE

DIMENSION SPECIFICATION

L : CENTER TO FACE
D : F.O.D
C : P.C.D
NO : NUMBER OF HOLES
H : DIAMETER OF HOLES
W : WEIGHT



CODE STOP	CODE SDNR	DN	L	D	C	NO	h	W
750216	751116	50	100	130	105	4	15	13
750217	751117	65	115	155	130	4	15	18,2
750218	751118	80	130	180	145	4	19	23,3
750219	751119	100	150	200	165	8	19	33,5
750220	751120	125	170	235	200	8	19	46,5
750221	751121	150	190	265	230	8	19	64
750222	751122	200	220	320	280	8	23	104
750223	751123	250	275	385	345	12	23	175
750224	751124	300	310	430	390	12	23	243
750225	751125	350	360	480	435	12	25	336
750226	751126	400	395	540	495	16	25	455



VALVE TURKIYE

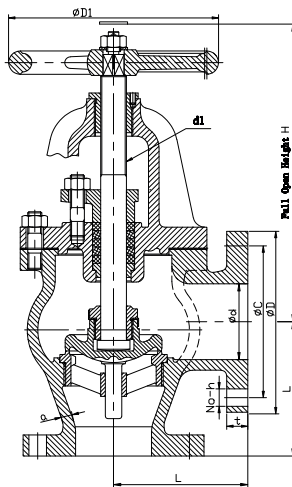
+90 232 616 17 19
 valves@adamarine.com

VALVE EUROPE

+31 180 22 4000
 valves.nl@adamarine.com

VALVE ASIA

+86 186 2606 6553
 valves.ch@adamarine.com



APPLICATION

Aboard ships for hot and cold water, fresh water, sea water, oil and steam.

MATERIAL SPECIFICATION

BODY : GS-C25
BONNET : GS-C25
SEAT : SUS316
DISC : SUS316
STEM : SUS316

TECHNICAL FEATURES

MODEL : JIS F7312 - STOP TYPE
 : JIS F7312C - SDNR TYPE
CONNECTION : JIS 5K
CERTIFICATION : DNV-GL CLASS CERTIFICATE

DIMENSION SPECIFICATION

L : CENTER TO FACE
D : F.O.D
C : P.C.D
NO : NUMBER OF HOLES
H : DIAMETER OF HOLES
W : WEIGHT

CODE STOP	CODE SDNR	DN	L	D	C	NO	h	W
750320	750330	50	100	130	105	4	15	13
750321	750331	65	115	155	130	4	15	18,2
750322	750332	80	130	180	145	4	19	23,3
750323	750333	100	150	200	165	8	19	33,5
750324	750334	125	170	235	200	8	19	46,5
750325	750335	150	190	265	230	8	19	64
750326	750336	200	220	320	280	8	23	104
750406	750406-C	250	275	385	345	12	23	175
750407	750407-C	300	310	430	390	12	23	243
750408	750408-C	350	360	480	435	12	25	336
750409	750409-C	400	395	540	495	16	25	455

VALVE TURKIYE

+90 232 616 17 19
 valves@adamarine.com

VALVE EUROPE

+31 180 22 4000
 valves.nl@adamarine.com

VALVE ASIA

+86 186 2606 6553
 valves.ch@adamarine.com

24

APPLICATION

Aboard ships for hot and cold water, fresh water, sea water, oil and steam.

MATERIAL SPECIFICATION

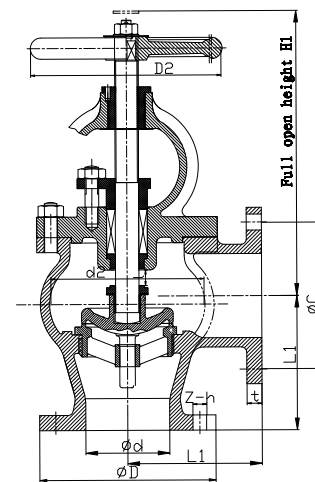
BODY : GG.25
BONNET : GG.25
SEAT : SUS316
DISC : SUS316
STEM : SUS316

TECHNICAL FEATURES

MODEL : JIS F7308 - STOP TYPE
 JIS F7376 - SDNR TYPE
CONNECTION : JIS 10K
CERTIFICATION : 3.1 MILL CERTIFICATE

DIMENSION SPECIFICATION

L : CENTER TO FACE
D : F.O.D
C : P.C.D
NO : NUMBER OF HOLES
H : DIAMETER OF HOLES
W : WEIGHT



CODE STOP	CODE SDNR	DN	L	D	C	NO	h	W
750246	751141	50	120	155	120	4	19	18,2
750247	751142	65	130	175	140	4	19	25,4
750248	751143	80	140	185	150	8	19	27,4
750249	751144	100	160	210	175	8	19	40,6
750250	751145	125	180	250	210	8	23	69,9
750251	751146	150	205	280	240	8	23	81
750252	751147	200	230	330	290	12	23	125
750253	751148	250	290	400	355	12	25	211
750254	751149	300	320	445	400	16	25	293
750255	751150	350	360	490	445	16	25	386
750256	751151	400	420	560	510	16	27	544



VALVE TURKIYE

+90 232 616 17 19
 valves@adamarine.com

VALVE EUROPE

+31 180 22 4000
 valves.nl@adamarine.com

VALVE ASIA

+86 186 2606 6553
 valves.ch@adamarine.com



APPLICATION

Aboard ships for hot and cold water, fresh water, sea water, oil and steam.

MATERIAL SPECIFICATION

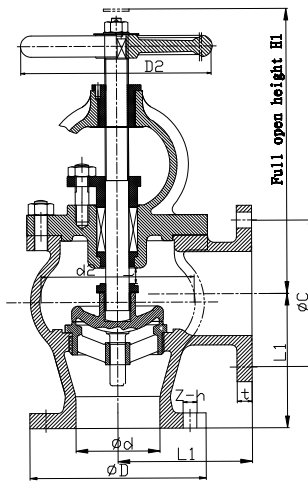
BODY : GS-C25
BONNET : GS-C25
SEAT : SUS316
DISC : SUS316
STEM : SUS316

TECHNICAL FEATURES

MODEL : JIS F7320 - STOP TYPE
 : JIS F7472 - SDNR TYPE
CONNECTION : JIS 10K
CERTIFICATION : DNV-GL CLASS CERTIFICATE

DIMENSION SPECIFICATION

L : CENTER TO FACE
D : F.O.D
C : P.C.D
NO : NUMBER OF HOLES
H : DIAMETER OF HOLES
W : WEIGHT



CODE STOP	CODE SDNR	DN	L	D	C	NO	h	W
750421	751216	50	120	155	120	4	19	18,2
750422	751217	65	130	175	140	4	19	25,4
750423	751218	80	140	185	150	8	19	27,4
750424	751219	100	160	210	175	8	19	40,6
750425	751220	125	180	250	210	8	23	69,9
750426	751221	150	205	280	240	8	23	81
750427	751222	200	230	330	290	12	23	125
750428	751223	250	290	400	355	12	25	211
750429	751224	300	320	445	400	16	25	293

VALVE TURKIYE

+90 232 616 17 19
 valves@adamarine.com

VALVE EUROPE

+31 180 22 4000
 valves.nl@adamarine.com

VALVE ASIA

+86 186 2606 6553
 valves.ch@adamarine.com

26

APPLICATION

Aboard ships for hot and cold water, fresh water, sea water, oil and steam.

MATERIAL SPECIFICATION

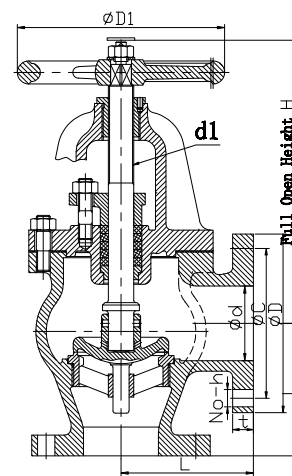
BODY : GG.25
BONNET : GG.25
SEAT : SUS316
DISC : SUS316
STEM : SUS316

TECHNICAL FEATURES

MODEL : JIS F7310 - STOP TYPE
 JIS F7378 - SDNR TYPE
CONNECTION : JIS 16K
CERTIFICATION : 3.1 MILL CERTIFICATE

DIMENSION SPECIFICATION

L : CENTER TO FACE
D : F.O.D
C : P.C.D
NO : NUMBER OF HOLES
H : DIAMETER OF HOLES
W : WEIGHT



CODE STOP	CODE SDNR	DN	L	D	C	NO	h	W
750271	751161	50	120	155	120	8	19	18
750272	751162	65	130	175	140	8	19	25
750273	751163	80	150	200	160	8	23	35,7
750274	751164	100	170	225	185	8	23	49,2
750275	751165	125	200	270	225	8	25	76,1
750276	751166	150	225	305	260	12	25	103
750277	751167	200	250	350	305	12	25	155



VALVE TURKIYE

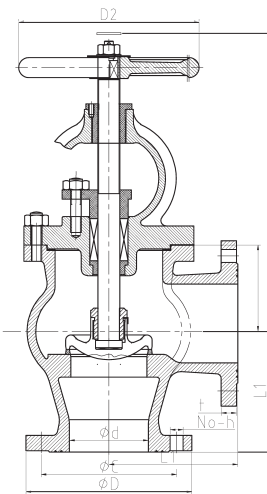
+90 232 616 17 19
 valves@adamarine.com

VALVE EUROPE

+31 180 22 4000
 valves.nl@adamarine.com

VALVE ASIA

+86 186 2606 6553
 valves.ch@adamarine.com



APPLICATION

Aboard ships for hot and cold water, fresh water, sea water, oil and steam.

MATERIAL SPECIFICATION

BODY : GS-C25
BONNET : GS-C25
SEAT : SUS316
DISC : SUS316
STEM : SUS316

TECHNICAL FEATURES

MODEL : JIS F7314 - STOP TYPE
 : JIS F7474 - SDNR TYPE
CONNECTION : JIS 20K
CERTIFICATION : DNV-GL CLASS CERTIFICATE

DIMENSION SPECIFICATION

L : CENTER TO FACE
D : F.O.D
C : P.C.D
NO : NUMBER OF HOLES
H : DIAMETER OF HOLES
W : WEIGHT

CODE STOP	CODE SDNR	DN	L	D	C	NO	h	W
750441	751246	32	100	135	100	4	19	13
750442	751247	40	110	140	105	4	19	15,2
750443	751248	50	125	155	120	8	19	20
750444	751249	65	135	175	140	8	19	26,9
750445	751250	80	150	200	160	8	23	38,9
750446	751251	100	170	225	185	8	23	54,4
750447	751252	125	200	270	225	8	25	80,7
750448	751253	150	225	305	260	12	25	112,3
750449	751254	200	280	350	305	12	25	183
750450	751255	250	310	430	380	12	27	285,9

VALVE TURKIYE

+90 232 616 17 19
 valves@adamarine.com

VALVE EUROPE

+31 180 22 4000
 valves.nl@adamarine.com

VALVE ASIA

+86 186 2606 6553
 valves.ch@adamarine.com

28

APPLICATION

Aboard ships for hot and cold water, fresh water, sea water, oil and steam.

MATERIAL SPECIFICATION

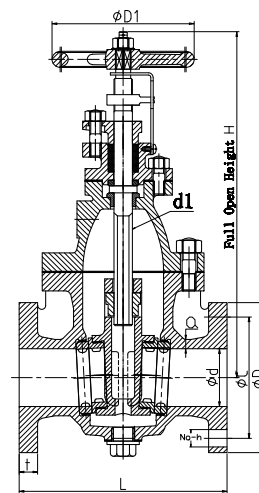
BODY : GG.25
BONNET : GG.25
SEAT : SUS316
DISC : SUS316
STEM : SUS316

TECHNICAL FEATURES

MODEL : JIS F7363
CONNECTION : JIS 5K
CERTIFICATION : 3.1 MILL CERTIFICATE

DIMENSION SPECIFICATION

L : FACE TO FACE
D : F.O.D
C : P.C.D
NO : NUMBER OF HOLES
H : DIAMETER OF HOLES
W : WEIGHT



CODE	DN	L	D	C	NO	h	W
750801	50	180	130	105	4	15	13,5
750802	65	190	155	130	4	15	19
750803	80	200	180	145	4	19	24,2
750804	100	230	200	165	8	19	35,3
750805	125	250	235	200	8	19	48,1
750806	150	270	265	230	8	19	65,3
750807	200	290	320	280	8	23	103
750808	250	330	385	345	12	23	164
750809	300	370	430	390	12	23	236
750810	350	410	480	435	12	25	307
750811	400	470	540	495	16	25	405
750812	450	500	605	555	16	25	556
750813	500	550	655	605	20	25	700



VALVE **TURKIYE**

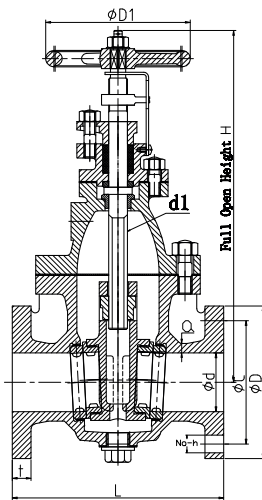
+90 232 616 17 19
 valves@adamarine.com

VALVE **EUROPE**

+31 180 22 4000
 valves.nl@adamarine.com

VALVE **ASIA**

+86 186 2606 6553
 valves.ch@adamarine.com



APPLICATION

Aboard ships for hot and cold water, fresh water, sea water, oil and steam.

MATERIAL SPECIFICATION

BODY : GS-C25
BONNET : GS-C25
SEAT : SUS316
DISC : SUS316
STEM : SUS316

TECHNICAL FEATURES

MODEL : JIS F7366-5K
CONNECTION : JIS 5K
CERTIFICATION : DNV-GL CLASS CERTIFICATE

DIMENSION SPECIFICATION

L : FACE TO FACE
D : F.O.D
C : P.C.D
NO : NUMBER OF HOLES
H : DIAMETER OF HOLES
W : WEIGHT

CODE	DN	L	D	C	NO	h	W
750901-5K	50	180	130	105	4	15	13,5
750902-5K	65	190	155	130	4	15	19
750903-5K	80	200	180	145	4	19	24,2
750904-5K	100	230	200	165	8	19	35,3
750905-5K	125	250	235	200	8	19	48,1
750906-5K	150	270	265	230	8	19	65,3
750907-5K	200	290	320	280	8	23	103
750908-5K	250	330	385	345	12	23	164
750909-5K	300	370	430	390	12	23	236
750910-5K	350	410	480	435	12	25	307
750911-5K	400	470	540	495	16	25	405

VALVE TURKIYE

+90 232 616 17 19
 valves@adamarine.com

VALVE EUROPE

+31 180 22 4000
 valves.nl@adamarine.com

VALVE ASIA

+86 186 2606 6553
 valves.ch@adamarine.com

GATE VALVE CAST IRON | JIS 10K

30

APPLICATION

Aboard ships for hot and cold water, fresh water, sea water, oil and steam.

MATERIAL SPECIFICATION

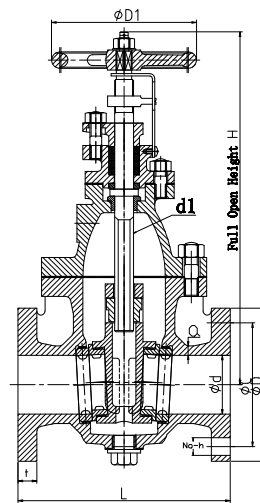
BODY : GG.25
BONNET : GG.25
SEAT : SUS316
DISC : SUS316
STEM : SUS316

TECHNICAL FEATURES

MODEL : JIS F7364
CONNECTION : JIS 10K
CERTIFICATION : 3.1 MILL CERTIFICATE

DIMENSION SPECIFICATION

L : FACE TO FACE
D : F.O.D
C : P.C.D
NO : NUMBER OF HOLES
H : DIAMETER OF HOLES
W : WEIGHT



CODE	DN	L	D	C	NO	h	W
750821	50	200	155	120	4	19	19,4
750822	65	220	175	140	4	19	27,6
750823	80	230	185	150	8	19	33
750824	100	250	210	175	8	19	45,8
750825	125	270	250	210	8	23	65,9
750826	150	290	280	240	8	23	86
750827	200	320	330	290	12	23	136
750828	250	380	400	355	12	25	230
750829	300	440	445	400	16	25	331
750830	350	500	490	445	16	25	433
750831	400	590	560	510	16	27	597
750832	450	640	620	565	20	27	704
750833	500	710	675	620	20	27	901



VALVE TURKIYE

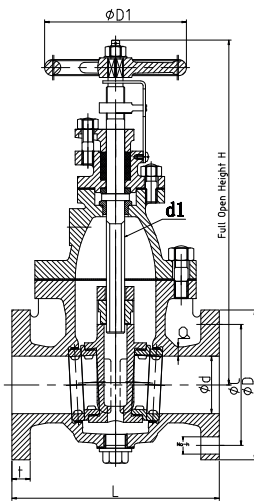
+90 232 616 17 19
valves@adamarine.com

VALVE EUROPE

+31 180 22 4000
valves.nl@adamarine.com

VALVE ASIA

+86 186 2606 6553
valves.ch@adamarine.com



APPLICATION

Aboard ships for hot and cold water, fresh water, sea water, oil and steam.

MATERIAL SPECIFICATION

- BODY** : GS-C25
- BONNET** : GS-C25
- SEAT** : SUS316
- DISC** : SUS316
- STEM** : SUS316

TECHNICAL FEATURES

- MODEL** : JIS F7364
- CONNECTION** : JIS 10K
- CERTIFICATION** : DNV-GL CLASS CERTIFICATE

DIMENSION SPECIFICATION

- L** : FACE TO FACE
- D** : FO.D
- C** : P.C.D
- NO** : NUMBER OF HOLES
- H** : DIAMETER OF HOLES
- W** : WEIGHT

CODE	DN	L	D	C	NO	h	W
750901	50	200	155	120	4	19	17,1
750902	65	220	175	140	4	19	26,5
750903	80	230	185	150	8	19	31,5
750904	100	250	210	175	8	19	44,9
750905	125	270	250	210	8	23	63,2
750906	150	290	280	240	8	23	82,3
750907	200	310	330	290	12	23	130
750908	250	340	400	355	12	25	203
750909	300	380	445	400	16	25	291
750910	350	420	490	445	16	25	368
750911	400	480	560	510	16	27	507

VALVE TURKIYE

+90 232 616 17 19
valves@adamarine.com

VALVE EUROPE

+31 180 22 4000
valves.nl@adamarine.com

VALVE ASIA

+86 186 2606 6553
valves.ch@adamarine.com

32

APPLICATION

Aboard ships for hot and cold water, fresh water, sea water, oil and steam.

MATERIAL SPECIFICATION

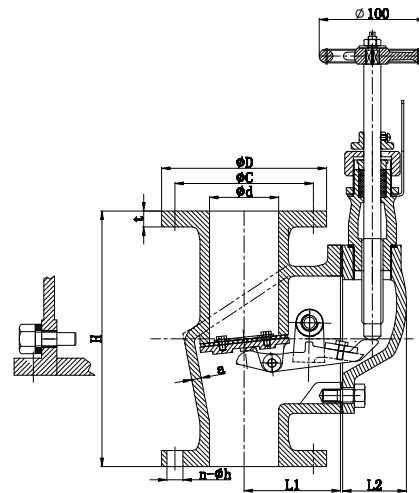
BODY : GS-C25
BONNET : GS-C25
SEAT : BRONZE
DISC : BRONZE
STEM : BRASS

TECHNICAL FEATURES

MODEL : JIS F3060
CONNECTION : JIS 5K
CERTIFICATION : DNV-GL CLASS CERTIFICATE

DIMENSION SPECIFICATION

L : FACE TO FACE
D : F.O.D
C : P.C.D
NO : NUMBER OF HOLES
H : DIAMETER OF HOLES
W : WEIGHT



CODE	DN	L	D	C	NO	h	W
754241	50	210	130	105	4	15	14,7
754242	65	240	155	130	4	15	21,3
754243	80	260	180	145	4	19	37,7
754244	100	280	200	165	8	19	40,8
754245	125	330	235	200	8	19	57,6
754246	150	360	265	230	8	19	80,3



VALVE TURKIYE

+90 232 616 17 19
 valves@adamarine.com

VALVE EUROPE

+31 180 22 4000
 valves.nl@adamarine.com

VALVE ASIA

+86 186 2606 6553
 valves.ch@adamarine.com



APPLICATION

Aboard ships for hot and cold water, fresh water, sea water, oil and steam.

MATERIAL SPECIFICATION

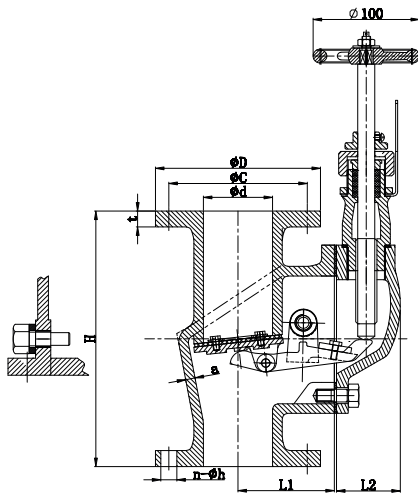
- BODY** : GS-C25
- BONNET** : GS-C25
- SEAT** : BRONZE
- DISC** : BRONZE
- STEM** : BRASS

TECHNICAL FEATURES

- MODEL** : JIS F3060
- CONNECTION** : JIS 10K
- CERTIFICATION** : DNV-GL CLASS CERTIFICATE

DIMENSION SPECIFICATION

- L** : FACE TO FACE
- D** : F.O.D
- C** : P.C.D
- NO** : NUMBER OF HOLES
- H** : DIAMETER OF HOLES
- W** : WEIGHT



CODE	DN	L	D	C	NO	h	W
754241-10K	50	210	155	120	4	19	14,7
754242-10K	65	240	175	140	4	19	21,3
754243-10K	80	260	185	150	8	19	37,7
754244-10K	100	280	210	175	8	19	40,8
754245-10K	125	330	250	210	8	23	57,6
754246-10K	150	360	280	240	8	23	80,3
754247-10K	200	500	330	290	12	23	93,4

VALVE TURKIYE

+90 232 616 17 19
valves@adamarine.com

VALVE EUROPE

+31 180 22 4000
valves.nl@adamarine.com

VALVE ASIA

+86 186 2606 6553
valves.ch@adamarine.com

34

APPLICATION

Aboard ships for hot and cold water, fresh water, sea water, oil and steam.

MATERIAL SPECIFICATION

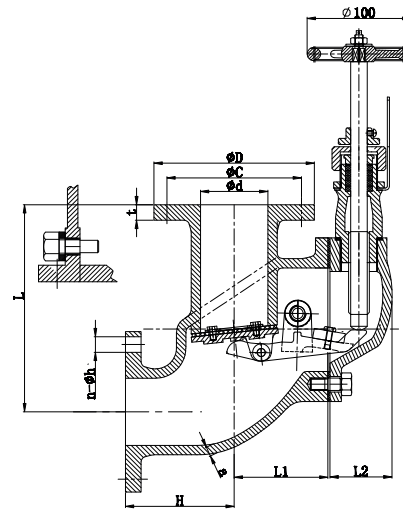
BODY : GS-C25
BONNET : GS-C25
SEAT : BRONZE
DISC : BRONZE
STEM : BRASS

TECHNICAL FEATURES

MODEL : JIS F3060R
CONNECTION : JIS 5K
CERTIFICATION : DNV-GL CLASS CERTIFICATE

DIMENSION SPECIFICATION

L : CENTER TO FACE
D : F.O.D
C : P.C.D
NO : NUMBER OF HOLES
H : DIAMETER OF HOLES
W : WEIGHT



CODE	DN	L	D	C	NO	h	W
754251	50	170	130	105	4	15	13
754252	65	200	155	130	4	15	19
754253	80	220	180	145	4	19	23,8
754254	100	250	200	165	8	19	29,6
754255	125	270	235	200	8	19	50
754256	150	310	265	230	8	19	67



VALVE TURKIYE

+90 232 616 17 19
 valves@adamarine.com

VALVE EUROPE

+31 180 22 4000
 valves.nl@adamarine.com

VALVE ASIA

+86 186 2606 6553
 valves.ch@adamarine.com



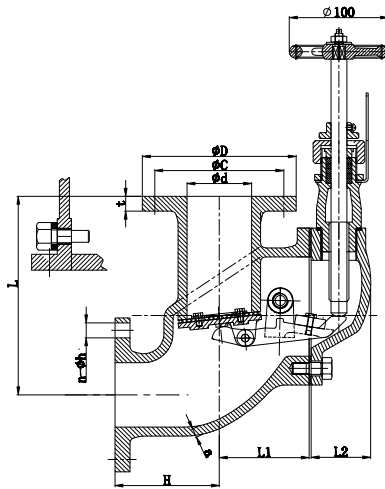
Aboard ships for hot and cold water, fresh water, sea water, oil and steam.

MATERIAL SPECIFICATION

BODY : GS-C25
BONNET : GS-C25
SEAT : BRONZE
DISC : BRONZE
STEM : BRASS

TECHNICAL FEATURES

MODEL : JIS F3060R
CONNECTION : JIS 10K
CERTIFICATION : DNV-GL CLASS CERTIFICATE



DIMENSION SPECIFICATION

L : CENTER TO FACE
D : F.O.D
C : P.C.D
NO : NUMBER OF HOLES
H : DIAMETER OF HOLES
W : WEIGHT

CODE	DN	L	D	C	NO	h	W
754251-10K	50	170	155	120	4	19	13
754252-10K	65	200	175	140	4	19	19
754253-10K	80	220	185	150	8	19	23,8
754254-10K	100	250	210	175	8	19	29,6
754255-10K	125	270	250	210	8	23	50
754256-10K	150	310	280	240	8	23	67
754257-10K	200	400	330	290	12	23	96

VALVE TURKIYE

+90 232 616 17 19
 valves@adamarine.com

VALVE EUROPE

+31 180 22 4000
 valves.nl@adamarine.com

VALVE ASIA

+86 186 2606 6553
 valves.ch@adamarine.com

36

APPLICATION

Aboard ships for hot and cold water, fresh water, sea water, oil and steam.

MATERIAL SPECIFICATION

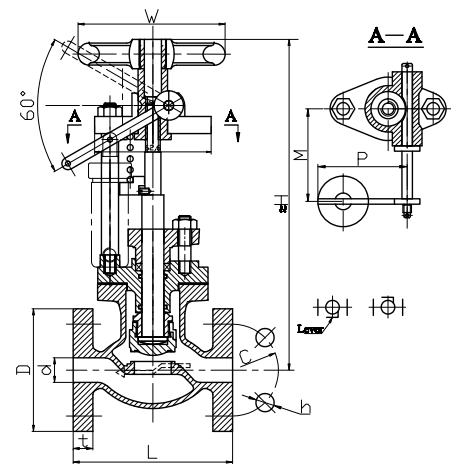
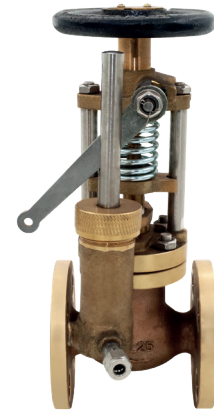
BODY : BRONZE
BONNET : BRONZE
SEAT : BRONZE
DISC : BRONZE
STEM : BRASS

TECHNICAL FEATURES

MODEL : JIS F7399
CONNECTION : JIS 5K & JIS 10K
CERTIFICATION : DNV-GL CLASS CERTIFICATE

DIMENSION SPECIFICATION

L : FACE TO FACE
D : F.O.D
C : P.C.D
NO : NUMBER OF HOLES
H : DIAMETER OF HOLES
W : WEIGHT



JIS 5K

CODE	DN	L	D	C	NO	h	W
874501-15A	15	100	80	60	4	12	7,5
874501-20A	20	110	85	65	4	12	8
874501	25	120	95	75	4	12	8,5
874501-32A	32	160	115	90	4	15	11,4
874502	40	160	120	95	4	15	12,2

JIS 10K

CODE	DN	L	D	C	NO	h	W
874501-15A-10K	15	110	95	70	4	15	7,9
874501-20A-10K	20	120	100	75	4	15	8,2
874501-10K	25	130	125	90	4	19	9,2
874501-32A-10K	32	160	135	100	4	19	13,35
874502-10K	40	180	140	105	4	19	13,8



VALVE TURKIYE

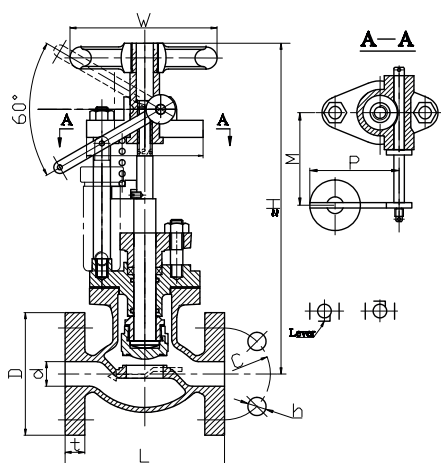
+90 232 616 17 19
 valves@adamarine.com

VALVE EUROPE

+31 180 22 4000
 valves.nl@adamarine.com

VALVE ASIA

+86 186 2606 6553
 valves.ch@adamarine.com



APPLICATION

Aboard ships for hot and cold water, fresh water, sea water, oil and steam.

MATERIAL SPECIFICATION

- BODY** : GS-C25
- BONNET** : GS-C25
- SEAT** : SUS316
- DISC** : SUS316
- STEM** : SUS316

TECHNICAL FEATURES

- MODEL** : JIS F7399
- CONNECTION** : JIS 5K & JIS 10K
- CERTIFICATION** : DNV-GL CLASS CERTIFICATE

DIMENSION SPECIFICATION

- L** : FACE TO FACE
- D** : F.O.D
- C** : P.C.D
- NO** : NUMBER OF HOLES
- H** : DIAMETER OF HOLES
- W** : WEIGHT

JIS 5K

CODE	DN	L	D	C	NO	h	W
874503	50	210	130	105	4	15	17,9
874504	65	250	155	130	4	15	27,2
874505	80	280	180	145	4	19	33
874506	100	340	200	165	8	19	51,6
874507	125	410	235	200	8	19	73,6
874508	150	480	265	230	8	19	110
874509	200	570	320	280	8	23	183

JIS 10K

CODE	DN	L	D	C	NO	h	W
874503-10K	50	220	155	120	4	19	21,6
874504-10K	65	270	175	140	4	19	31,4
874505-10K	80	300	185	150	8	19	36
874506-10K	100	350	210	175	8	19	57
874507-10K	125	420	250	210	8	23	88,4
874508-10K	150	490	280	240	8	23	115
874509-10K	200	570	330	290	12	23	187,4

VALVE TURKIYE

+90 232 616 17 19
valves@adamarine.com

VALVE EUROPE

+31 180 22 4000
valves.nl@adamarine.com

VALVE ASIA

+86 186 2606 6553
valves.ch@adamarine.com

38

APPLICATION

Aboard ships for hot and cold water, fresh water, sea water, oil and steam.

MATERIAL SPECIFICATION

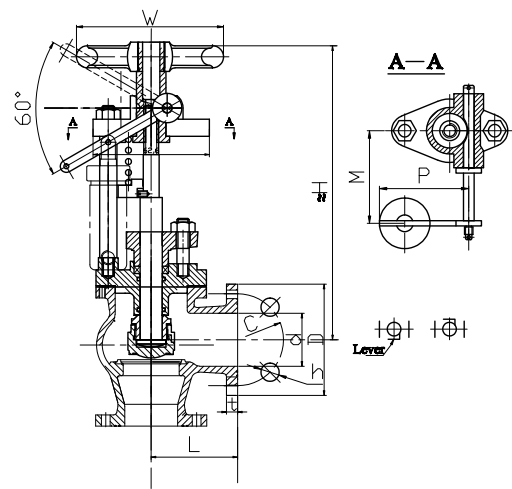
BODY : BRONZE
BONNET : BRONZE
SEAT : BRONZE
DISC : BRONZE
STEM : BRASS

TECHNICAL FEATURES

MODEL : JIS F7399
CONNECTION : JIS 5K & JIS 10K
CERTIFICATION : DNV-GL CLASS CERTIFICATE

DIMENSION SPECIFICATION

L : CENTER TO FACE
D : F.O.D
C : P.C.D
NO : NUMBER OF HOLES
H : DIAMETER OF HOLES
W : WEIGHT



JIS 5K

CODE	DN	L	D	C	NO	h	W
874521-15A	15	55	80	60	4	12	6,9
874521-20A	20	60	85	65	4	12	7,1
874521	25	65	95	75	4	12	7,4
874521-32A	32	80	115	90	4	15	11,4
874522	40	85	120	95	4	15	11,8

JIS 10K

CODE	DN	L	D	C	NO	h	W
874521-15A-10K	15	70	95	70	4	15	7,6
874521-20A-10K	20	75	100	75	4	15	8,1
874521-10K	25	85	125	90	4	19	9,2
874521-32A-10K	32	95	135	100	4	19	13,1
874522-10K	40	100	140	105	4	19	13,6



VALVE TURKIYE

+90 232 616 17 19
 valves@adamarine.com

VALVE EUROPE

+31 180 22 4000
 valves.nl@adamarine.com

VALVE ASIA

+86 186 2606 6553
 valves.ch@adamarine.com



APPLICATION

Aboard ships for hot and cold water, fresh water, sea water, oil and steam.

MATERIAL SPECIFICATION

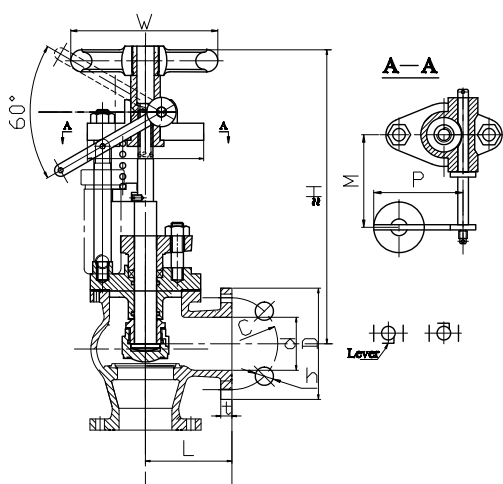
BODY : GS-C25
BONNET : GS-C25
SEAT : SUS316
DISC : SUS316
STEM : SUS316

TECHNICAL FEATURES

MODEL : JIS F7399
CONNECTION : JIS 5K & JIS 10K
CERTIFICATION : DNV-GL CLASS CERTIFICATE

DIMENSION SPECIFICATION

L : CENTER TO FACE
D : F.O.D
C : P.C.D
NO : NUMBER OF HOLES
H : DIAMETER OF HOLES
W : WEIGHT



JIS 5K

CODE	DN	L	D	C	NO	h	W
874523	50	100	130	105	4	15	16
874524	65	115	155	130	4	15	23
874525	80	130	180	145	4	19	28,2
874526	100	150	200	165	8	19	45,6
874527	125	170	235	200	8	19	61,4
874528	150	190	265	230	8	19	83,2
874529	200	220	320	280	8	23	132,2

JIS 10K

CODE	DN	L	D	C	NO	h	W
874523-10K	50	120	155	120	4	19	20,4
874524-10K	65	130	175	140	4	19	27,8
874525-10K	80	140	185	150	8	19	30
874526-10K	100	160	210	175	8	19	50
874527-10K	125	180	250	210	8	23	72,2
874528-10K	150	205	280	240	8	23	94,6
874529-10K	200	230	330	290	12	23	139,5

VALVE TURKIYE

+90 232 616 17 19
 valves@adamarine.com

VALVE EUROPE

+31 180 22 4000
 valves.nl@adamarine.com

VALVE ASIA

+86 186 2606 6553
 valves.ch@adamarine.com

BUTTERFLY VALVE WAFER CONCENTRIC

40

APPLICATION

Aboard ships for hot and cold water, fresh water, sea water, oil and steam.

MATERIAL SPECIFICATION

BODY : GG25
SEAT : NBR
DISC : SUS316
STEM : SUS316



TECHNICAL FEATURES

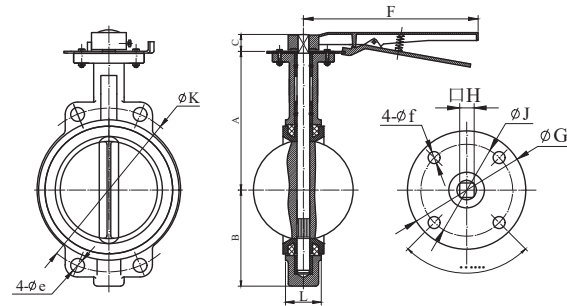
MODEL : 700G-IT
CONNECTION : JIS 5K & JIS 10K & PN10 & PN16
ACTUATION : LOCK LEVER
CERTIFICATION : 3.1 MILL CERTIFICATE

DIMENSION SPECIFICATION

L : FACE TO FACE
C : P.C.D
NO : NUMBER OF HOLES
H : DIAMETER OF HOLES
W : WEIGHT

TOP FLANGE

d : OUTSIDE DIAMETER
c : P.C.D
no : NUMBER OF HOLES
h2 : DIAMETER OF HOLES
H : SHAFT
T-FLG : TOP FLANGE STANDARD



CODE	DN	L	NO	H	W	TOP FLANGE					
						d	c	no	h2	H	T-FLG
752208	40	35	2	19	2,1	90	70	4	9	9	F07
752201	50	43	2	19	2,4	90	70	4	9	9	F07
752202	65	46	2	19	2,8	90	70	4	9	9	F07
752203	80	46	4	19	3,4	90	70	4	9	9	F07
752204	100	52	4	19	4,4	90	70	4	9	11	F07
752205	125	56	4	19	5,8	90	70	4	9	14	F07
752206	150	56	4	23	7	90	70	4	9	14	F07
752207	200	60	4	23	132,2	125	102	4	12	17	F10



VALVE TURKIYE

+90 232 616 17 19
 valves@adamarine.com

VALVE EUROPE

+31 180 22 4000
 valves.nl@adamarine.com

VALVE ASIA

+86 186 2606 6553
 valves.ch@adamarine.com



APPLICATION

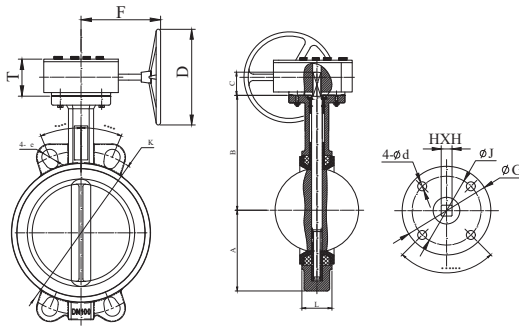
Aboard ships for hot and cold water, fresh water, sea water, oil and steam.

MATERIAL SPECIFICATION

- BODY** : GG25
- SEAT** : NBR
- DISC** : SUS316
- STEM** : SUS316

TECHNICAL FEATURES

- MODEL** : 700G-2U
- CONNECTION** : JIS 5K & JIS 10K & PN10 & PN16
- ACTUATION** : WORM GEAR ACTUATOR
- CERTIFICATION** : 3.1 MILL CERTIFICATE



DIMENSION SPECIFICATION

- L** : FACE TO FACE
- C** : P.C.D
- NO** : NUMBER OF HOLES
- H** : DIAMETER OF HOLES
- W** : WEIGHT

TOP FLANGE

- d** : OUTSIDE DIAMETER
- c** : P.C.D
- no** : NUMBER OF HOLES
- h2** : DIAMETER OF HOLES
- H** : SHAFT
- T-FLG** : TOP FLANGE STANDARD

CODE	DN	L	NO	H	W	TOP FLANGE					
						d	c	no	h2	H	T-FLG
752227	40	33	2	19	3,8	90	70	4	9	9	F07
752211	50	43	2	19	4,1	90	70	4	9	9	F07
752212	65	46	2	19	4,8	90	70	4	9	9	F07
752213	80	46	4	19	4,9	90	70	4	9	9	F07
752214	100	52	4	19	5,7	90	70	4	9	11	F07
752215	125	56	4	19	9,6	90	70	4	9	14	F07
752216	150	56	4	23	11,2	90	70	4	9	14	F07
752217	200	60	4	23	18	125	102	4	12	17	F10
752218	250	68	4	25	26	125	102	4	12	22	F10
752219	300	78	4	25	39	150	125	4	14	22	F12
752220	350	78	4	25	58	150	125	4	14	22	F12
752221	400	102	4	27	80	150	125	4	14	27	F12
752222	450	114	4	27	103	210	165	4	22	27	F16
752223	500	127	4	27	130	210	165	4	22	36	F16
752224	550	154	4	33	199	210	165	4	22	36	F16
752225	600	154	4	33	222	210	165	4	22	36	F16
752261	650	165	4	33	350	300	254	8	18		F25
752262	700	165	4	33	410	300	254	8	18		F25

VALVE **TURKIYE**
+90 232 616 17 19
valves@adamarine.com

VALVE **EUROPE**
+31 180 22 4000
valves.nl@adamarine.com

VALVE **ASIA**
+86 186 2606 6553
valves.ch@adamarine.com

42

APPLICATION

Aboard ships for hot and cold water, fresh water, sea water, oil and steam.

MATERIAL SPECIFICATION

BODY : GG25
SEAT : NBR
DISC : ALBC
STEM : SUS316



TECHNICAL FEATURES

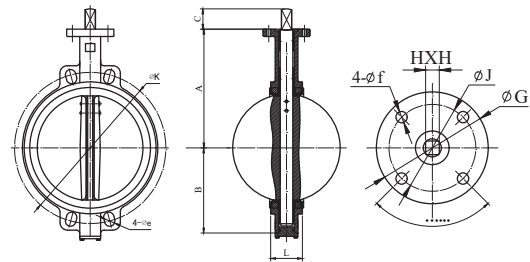
MODEL : ECO. 5720
CONNECTION : JIS 5K & JIS 10K & PN10 & PN16
ACTUATION : BARE SHAFT
CERTIFICATION : 3.1 MILL CERTIFICATE

DIMENSION SPECIFICATION

L : FACE TO FACE
C : P.C.D
NO : NUMBER OF HOLES
H : DIAMETER OF HOLES
W : WEIGHT

TOP FLANGE

d : OUTSIDE DIAMETER
c : P.C.D
no : NUMBER OF HOLES
h2 : DIAMETER OF HOLES
H : SHAFT
T-FLG : TOP FLANGE STANDARD



CODE	DN	L	NO	H	W	TOP FLANGE					
						d	c	no	h2	H	T-FLG
756331	50	43	2	19	2,7	90	70	4	9	9	F07
756332	65	46	2	19	3,5	90	70	4	9	9	F07
756333	80	46	4	19	3,9	90	70	4	9	9	F07
756334	100	52	4	19	5,1	90	70	4	9	11	F07
756335	125	56	4	19	7,7	90	70	4	9	14	F07
756336	150	56	4	23	9,2	90	70	4	9	14	F07
756337	200	60	4	23	15	125	102	4	12	17	F10
756338	250	68	4	25	25	125	102	4	12	22	F10
756339	300	78	4	25	34	150	125	4	14	22	F12
756340	350	78	4	25	50	150	125	4	14	22	F12
756341	400	102	4	27	67	150	125	4	14	27	F12
756342	450	114	4	27	100	210	165	4	22	27	F16
756343	500	127	4	27	135	210	165	4	22	36	F16
756344	600	154	4	33	180	210	165	4	22	36	F16



VALVE TURKIYE

+90 232 616 17 19
 valves@adamarine.com

VALVE EUROPE

+31 180 22 4000
 valves.nl@adamarine.com

VALVE ASIA

+86 186 2606 6553
 valves.ch@adamarine.com



APPLICATION

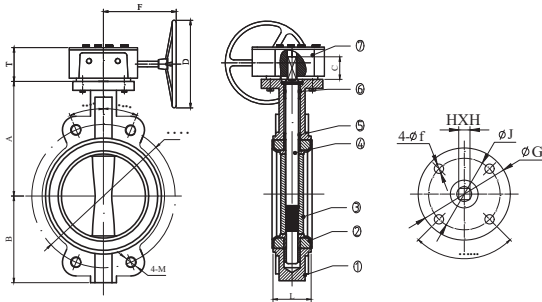
Aboard ships for hot and cold water, fresh water, sea water, oil and steam.

MATERIAL SPECIFICATION

BODY : GGG.40
SEAT : NBR
DISC : ALBC
STEM : SUS316

TECHNICAL FEATURES

MODEL : 705G-2U
CONNECTION : JIS 10K
ACTUATION : WORM GEAR ACTUATOR
CERTIFICATION : DNV-GL CLASS CERTIFICATE



DIMENSION SPECIFICATION

L : FACE TO FACE
C : P.C.D
NO : NUMBER OF HOLES
H : DIAMETER OF HOLES
W : WEIGHT

TOP FLANGE

d : OUTSIDE DIAMETER
c : P.C.D
no : NUMBER OF HOLES
h2 : DIAMETER OF HOLES
H : SHAFT
T-FLG : TOP FLANGE STANDARD

CODE	DN	L	C	NO	H	W	TOP FLANGE					
							d	c	no	h2	H	T-FLG
752265	50	43	120	4	M16	4,8	90	70	4	9	9	F07
752266	65	46	140	4	M16	5,8	90	70	4	9	9	F07
752267	80	46	150	4	M16	6,3	90	70	4	9	9	F07
752268	100	52	175	4	M16	7,3	90	70	4	9	11	F07
752269	125	56	210	4	M16	12,2	90	70	4	9	14	F07
752270	150	56	240	4	M20	16	90	70	4	9	14	F07
752271	200	60	290	4	M20	23	125	102	4	12	17	F10
752272	250	68	355	4	M22	32	125	102	4	12	22	F10
752273	300	78	400	4	M22	45	150	125	4	14	22	F12
752274	350	78	445	4	M22	63	150	125	4	14	22	F12
752275	400	102	510	4	M24	91	150	125	4	14	27	F12
752276	450	114	565	4	M24	115	210	165	4	22	27	F16
752277	500	127	620	4	M24	145	210	165	4	22	36	F16
752278	550	154	680	4	M30	199	210	165	4	22	36	F16
752279	600	154	730	4	M30	225	210	165	4	22	36	F16
752280	650	165	780	4	M30	350	300	254	8	18	36	F25
752281	700	165	840	4	M30	410	300	254	8	18	36	F25

VALVE **TURKIYE**

+90 232 616 17 19
 valves@adamarine.com

VALVE **EUROPE**

+31 180 22 4000
 valves.nl@adamarine.com

VALVE **ASIA**

+86 186 2606 6553
 valves.ch@adamarine.com

BUTTERFLY VALVE LUG CONCENTRIC

44

APPLICATION

Aboard ships for hot and cold water, fresh water, sea water, oil and steam.

MATERIAL SPECIFICATION

BODY : GG25 & GGG.40
SEAT : NBR
DISC : ALBC
STEM : SUS316

TECHNICAL FEATURES

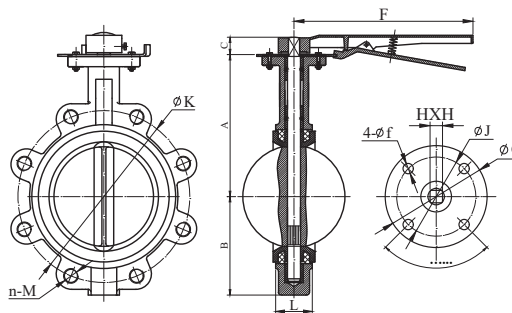
MODEL : 704G-IT
CONNECTION : JIS 5K & JIS 10K
ACTUATION : LOCK LEVER
CERTIFICATION : 3.1 MILL CERTIFICATE
 : DNV-GL CLASS CERTIFICATE

DIMENSION SPECIFICATION

L : FACE TO FACE
C : P.C.D
NO : NUMBER OF HOLES
H : DIAMETER OF HOLES
W : WEIGHT

TOP FLANGE

d : OUTSIDE DIAMETER
c : P.C.D
no : NUMBER OF HOLES
h2 : DIAMETER OF HOLES
H : SHAFT
T-FLG : TOP FLANGE STANDARD



JIS 5K

CODE	DN	L	C	NO	H	W	TOP FLANGE					
							d	c	no	h2	H	T-FLG
752311	40	40	95	4	M12	2,25	90	70	4	9	9	F07
752312	50	43	105	4	M16	3,9	90	70	4	9	9	F07
752313	65	46	130	4	M16	4,23	90	70	4	9	9	F07
752314	80	46	145	4	M16	5,78	90	70	4	9	9	F07
752315	100	52	165	8	M16	7,53	90	70	4	9	11	F07
752316	125	56	200	8	M16	10,16	90	70	4	9	14	F07

JIS 10K

CODE	DN	L	C	NO	H	W	TOP FLANGE					
							d	c	no	h2	H	T-FLG
752321	40	40	105	4	M16	2,25	90	70	4	9	9	F07
752322	50	43	120	4	M16	3,9	90	70	4	9	9	F07
752323	65	46	140	4	M16	4,23	90	70	4	9	9	F07
752324	80	46	150	8	M16	5,78	90	70	4	9	9	F07
752325	100	52	175	8	M16	7,53	90	70	4	9	11	F07
752326	125	56	210	8	M20	10,16	90	70	4	9	14	F07



VALVE TURKIYE

+90 232 616 17 19
 valves@adamarine.com

VALVE EUROPE

+31 180 22 4000
 valves.nl@adamarine.com

VALVE ASIA

+86 186 2606 6553
 valves.ch@adamarine.com



APPLICATION

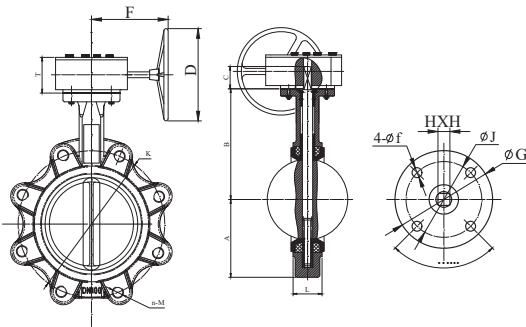
Aboard ships for hot and cold water, fresh water, sea water, oil and steam.

MATERIAL SPECIFICATION

BODY : GG-25 & GGG.40
SEAT : NBR
DISC : ALBC
STEM : SUS316

TECHNICAL FEATURES

MODEL : 704G-2U
CONNECTION : JIS 5K
ACTUATION : WORM GEAR ACTUATOR
CERTIFICATION : 3.1 MILL CERTIFICATE
 : DNV-GL CLASS CERTIFICATE



DIMENSION SPECIFICATION

L : FACE TO FACE
C : P.C.D
NO : NUMBER OF HOLES
H : DIAMETER OF HOLES
W : WEIGHT

TOP FLANGE

d : OUTSIDE DIAMETER
c : P.C.D
no : NUMBER OF HOLES
h2 : DIAMETER OF HOLES
H : SHAFT
T-FLG : TOP FLANGE STANDARD

CODE	DN	L	C	NO	H	W	TOP FLANGE					
							d	c	no	h2	H	T-FLG
752311	40	40	95	4	M12	2,25	90	70	4	9	9	F07
752312	50	43	105	4	M16	3,9	90	70	4	9	9	F07
752313	65	46	130	4	M16	4,23	90	70	4	9	9	F07
752314	80	46	145	4	M16	5,78	90	70	4	9	9	F07
752315	100	52	165	8	M16	7,53	90	70	4	9	11	F07
752316	125	56	200	8	M16	10,16	90	70	4	9	14	F07
752317	150	56	230	8	M16	12,3	90	70	4	9	14	F07
752318	200	60	280	8	M20	20,86	125	102	4	12	17	F10
752319	250	68	345	12	M20	31,5	125	102	4	12	22	F10
752320	300	78	390	12	M20	49	150	125	4	14	22	F12
7523350	350	78	435	12	M22	72,4	150	125	4	14	22	F12
7523400	400	102	495	16	M22	98,7	150	125	4	14	27	F12
7523450	450	114	555	16	M22	127,6	210	165	4	22	27	F16

VALVE **TURKIYE**

+90 232 616 17 19
 valves@adamarine.com

VALVE **EUROPE**

+31 180 22 4000
 valves.nl@adamarine.com

VALVE **ASIA**

+86 186 2606 6553
 valves.ch@adamarine.com

BUTTERFLY VALVE LUG | CONCENTRIC

46

APPLICATION

Aboard ships for hot and cold water, fresh water, sea water, oil and steam.

MATERIAL SPECIFICATION

BODY : GG-25 & GGG.40
SEAT : NBR
DISC : ALBC
STEM : SUS316

TECHNICAL FEATURES

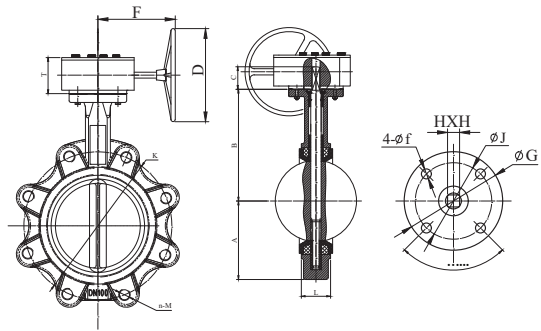
MODEL : 704G-2U
CONNECTION : JIS 10K
ACTUATION : WORM GEAR ACTUATOR
CERTIFICATION : 3.1 MILL CERTIFICATE
 : DNV-GL CLASS CERTIFICATE

DIMENSION SPECIFICATION

L : FACE TO FACE
C : P.C.D
NO : NUMBER OF HOLES
H : DIAMETER OF HOLES
W : WEIGHT

TOP FLANGE

d : OUTSIDE DIAMETER
c : P.C.D
no : NUMBER OF HOLES
h2 : DIAMETER OF HOLES
H : SHAFT
T-FLG : TOP FLANGE STANDARD



CODE	DN	L	C	NO	H	W	TOP FLANGE					
							d	c	no	h2	H	T-FLG
752321	40	40	105	4	M16	2,25	90	70	4	9	9	F07
752322	50	43	120	4	M16	4,8	90	70	4	9	9	F07
752323	65	46	140	4	M16	5,8	90	70	4	9	9	F07
752324	80	46	150	8	M16	6,3	90	70	4	9	9	F07
752325	100	52	175	8	M16	7,3	90	70	4	9	11	F07
752326	125	56	210	8	M20	12,2	90	70	4	9	14	F07
752327	150	56	240	8	M20	16	90	70	4	9	14	F07
752328	200	60	290	12	M20	23	125	102	4	12	17	F10
752329	250	68	355	12	M22	32	125	102	4	12	22	F10
752330	300	78	400	16	M22	45	150	125	4	14	22	F12
752331	350	78	445	16	M22	63	150	125	4	14	22	F12
752332	400	102	510	16	M24	91	150	125	4	14	27	F12
752333	450	114	565	20	M24	115	210	165	4	22	27	F16



VALVE TURKIYE

+90 232 616 17 19
 valves@adamarine.com

VALVE EUROPE

+31 180 22 4000
 valves.nl@adamarine.com

VALVE ASIA

+86 186 2606 6553
 valves.ch@adamarine.com



APPLICATION

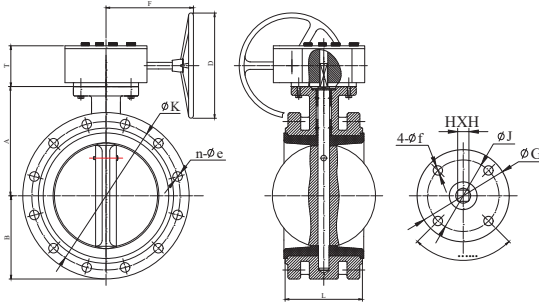
Aboard ships for hot and cold water, fresh water, sea water, oil and steam.

MATERIAL SPECIFICATION

BODY : GGG.40
SEAT : NBR
DISC : ALBC
STEM : SUS316

TECHNICAL FEATURES

MODEL : 722F-2U-SHORT
CONNECTION : JIS 10K & PN10 & PN16
ACTUATION : WORM GEAR ACTUATOR
CERTIFICATION : DNV-GL CLASS CERTIFICATE



DIMENSION SPECIFICATION

L : FACE TO FACE
C : P.C.D
NO : NUMBER OF HOLES
H : DIAMETER OF HOLES
W : WEIGHT

TOP FLANGE

d : OUTSIDE DIAMETER
c : P.C.D
no : NUMBER OF HOLES
h2 : DIAMETER OF HOLES
H : SHAFT
T-FLG : TOP FLANGE STANDARD

CODE	DN	L	C	NO	H	W	TOP FLANGE					
							d	c	no	h2	H	T-FLG
752340	100	52		UNDRILLED		11	90	70	4	9	11	F07
752341	125	56		UNDRILLED		13	90	70	4	9	14	F07
752342	150	56		UNDRILLED		19	90	70	4	9	14	F07
752343	200	60		UNDRILLED		25,8	125	102	4	12	17	F10
752344	250	68		UNDRILLED		34,8	125	102	4	12	22	F10
752345	300	78		UNDRILLED		56,5	150	125	4	14	22	F12
752346	350	78		UNDRILLED		69,8	150	125	4	14	22	F12
752347	400	102		UNDRILLED		128	150	125	4	14	27	F12
752348	450	114		UNDRILLED		152	210	165	4	22	27	F16
752349	500	127		UNDRILLED		181	210	165	4	22	36	F16
7523550	550	154		UNDRILLED		238	210	165	4	22	36	F16
752350	600	154		UNDRILLED		292,6	210	165	4	22	36	F16
7523650	650	165		UNDRILLED		345	300	254	8	18		F25
752351	700	165		UNDRILLED		377	300	254	8	18		F25

VALVE **TURKIYE**

+90 232 616 17 19
 valves@adamarine.com

VALVE **EUROPE**

+31 180 22 4000
 valves.nl@adamarine.com

VALVE **ASIA**

+86 186 2606 6553
 valves.ch@adamarine.com

BUTTERFLY VALVE FLANGED LONG CONCENTRIC

48

APPLICATION

Aboard ships for hot and cold water, fresh water, sea water, oil and steam.

MATERIAL SPECIFICATION

BODY : GGG.40
SEAT : NBR
DISC : ALBC
STEM : SUS316



TECHNICAL FEATURES

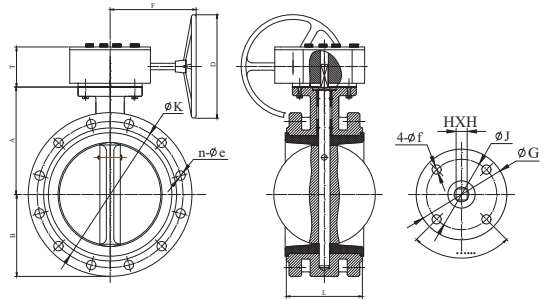
MODEL : 722F-2U
CONNECTION : JIS 10K & PN10 & PN16
ACTUATION : WORM GEAR ACTUATOR
CERTIFICATION : DNV-GL CLASS CERTIFICATE

DIMENSION SPECIFICATION

L : FACE TO FACE
C : P.C.D
NO : NUMBER OF HOLES
H : DIAMETER OF HOLES
W : WEIGHT

TOP FLANGE

d : OUTSIDE DIAMETER
c : P.C.D
no : NUMBER OF HOLES
h2 : DIAMETER OF HOLES
H : SHAFT
T-FLG : TOP FLANGE STANDARD



CODE	DN	L	C	NO	H	W	TOP FLANGE					
							d	c	no	h2	H	T-FLG
752360	100	60		UNDRILLED		11,8	90	70	4	9	11	F07
752361	125	100		UNDRILLED		18,5	90	70	4	9	14	F07
752362	150	100		UNDRILLED		21,8	90	70	4	9	14	F07
752363	200	100		UNDRILLED		30,6	125	102	4	12	17	F10
752364	250	110		UNDRILLED		46,1	125	102	4	12	22	F10
752365	300	110		UNDRILLED		56,5	150	125	4	14	22	F12
752366	350	120		UNDRILLED		71,6	150	125	4	14	22	F12
752367	400	130		UNDRILLED		110	150	125	4	14	27	F12
752368	450	150		UNDRILLED		141,4	210	165	4	22	27	F16
752369	500	160		UNDRILLED		169,6	210	165	4	22	36	F16
752370	600	170		UNDRILLED		262	210	165	4	22	36	F16
752371	700	180		UNDRILLED		355,6	300	254	8	18		F25



VALVE TURKIYE

+90 232 616 17 19
 valves@adamarine.com

VALVE EUROPE

+31 180 22 4000
 valves.nl@adamarine.com

VALVE ASIA

+86 186 2606 6553
 valves.ch@adamarine.com



APPLICATION

Aboard ships for hot and cold water, fresh water, sea water.

MATERIAL SPECIFICATION

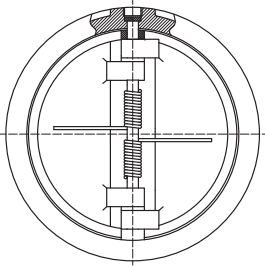
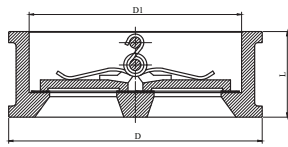
BODY : GGG.40
SEAT : NBR
DISC : ALBC
STEM : SUS316

TECHNICAL FEATURES

MODEL : JIS F6421
CONNECTION : JIS 5K & JIS 10K
CERTIFICATION : 3.1 MILL CERTIFICATE

DIMENSION SPECIFICATION

L : FACE TO FACE
D : OUTSIDE DIAMETER
D1 : INSIDE DIAMETER
W : WEIGHT



JIS 5K

CODE	DN	L	D	D1	W
751471	100	73	146	117	5,7
751472	125	86	181	145	9,6
751473	150	98	211	171	11,2
751474	200	127	257	222	18
751475	250	146	322	276	26
751476	300	181	367	327	39
751477	350	184	410	375	58
751478	400	191	470	416	80
751479	450	203	530	467	103

JIS 10K

CODE	DN	L	D	D1	W
751481	100	73	156	117	5,7
751482	125	86	187	145	9,6
751483	150	98	217	171	11,2
751484	200	127	267	222	18
751485	250	146	330	276	26
751486	300	181	375	327	39
751487	350	184	420	375	58
751488	400	191	483	416	80
751489	450	203	538	467	103

VALVE TURKIYE

+90 232 616 17 19
 valves@adamarine.com

VALVE EUROPE

+31 180 22 4000
 valves.nl@adamarine.com

VALVE ASIA

+86 186 2606 6553
 valves.ch@adamarine.com

AIR VENT HEAD DISC TYPE

50

APPLICATION

Aboard ships for hot and cold water, fresh water, sea water.

MATERIAL SPECIFICATION

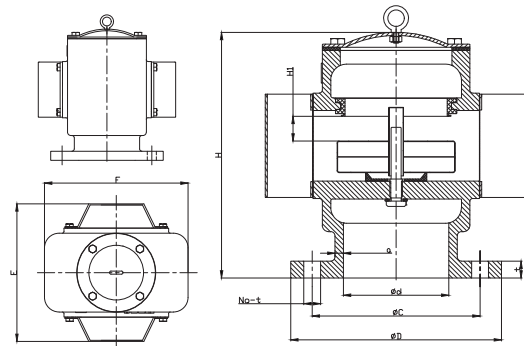
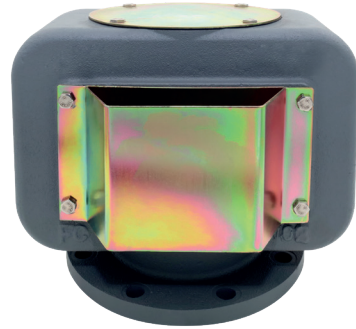
BODY : GG-25
COVER : SUS316
FILTER : SUS316
SCREEN COVER : SUS316
FLOAT : SUS316

TECHNICAL FEATURES

MODEL : JIS KS91A-121
CONNECTION : JIS 5K
CERTIFICATION : 3.1 MILL CERTIFICATE

DIMENSION SPECIFICATION

C : P.C.D.
D : F.O.D.
NO : NUMBER OF HOLES
H : DIAMETER OF HOLES
W : WEIGHT



CODE	DN	C	D	NO	H	W
872301	50	105	130	4	15	7,4
872302	65	130	155	4	15	12,6
872303	80	145	180	4	15	16
872304	100	165	200	8	19	23
872305	125	200	235	8	19	34
872306	150	230	265	8	19	47
872307	200	280	320	8	23	72
872308	250	345	385	12	23	120
872309	300	390	430	12	23	178
872310	350	435	480	12	23	196
872311	400	495	540	16	25	229
872312	450	555	605	16	25	285



VALVE TURKIYE

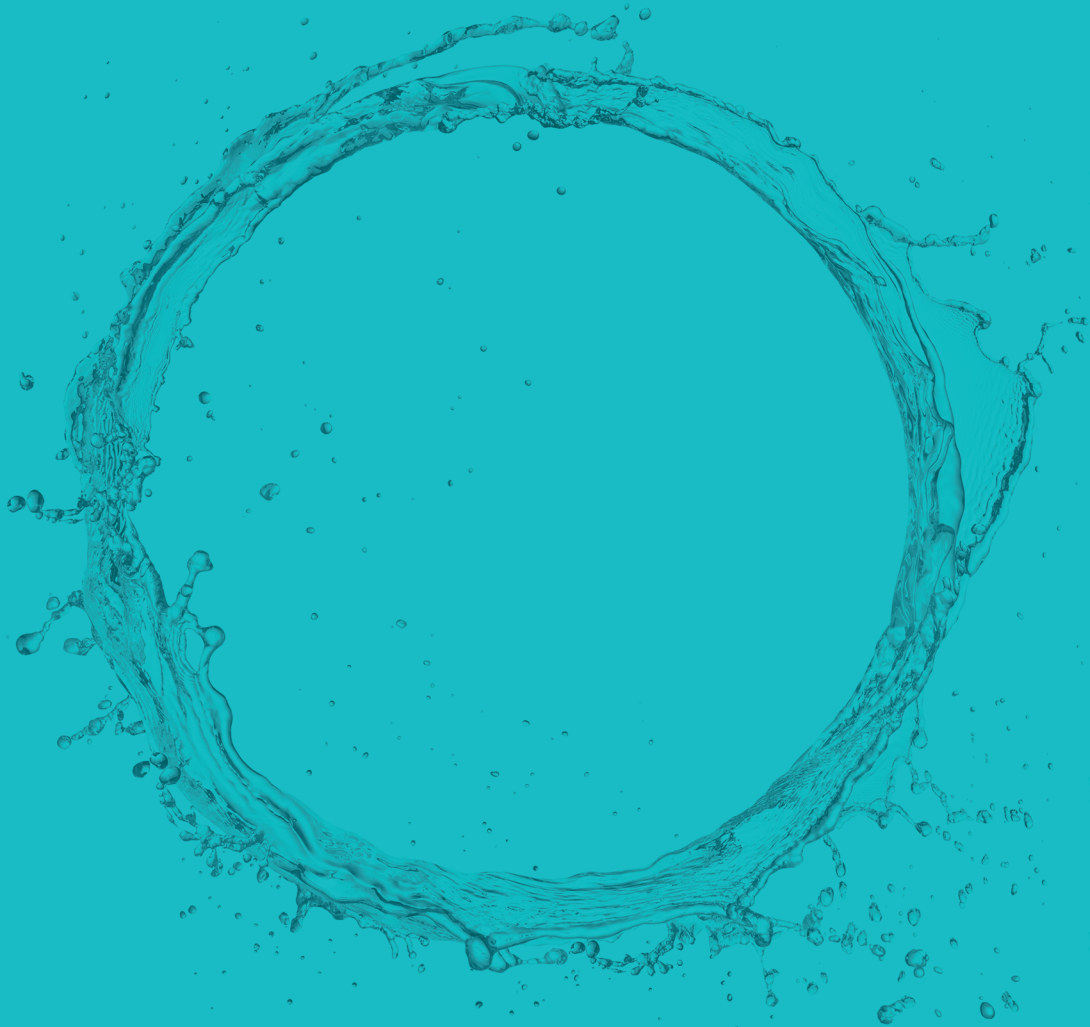
+90 232 616 17 19
valves@adamarine.com

VALVE EUROPE

+31 180 22 4000
valves.nl@adamarine.com

VALVE ASIA

+86 186 2606 6553
valves.ch@adamarine.com



DIN

MARINE VALVES

54

APPLICATION

Aboard ships for hot and cold water, fresh water, sea water, oil and steam.

MATERIAL SPECIFICATION

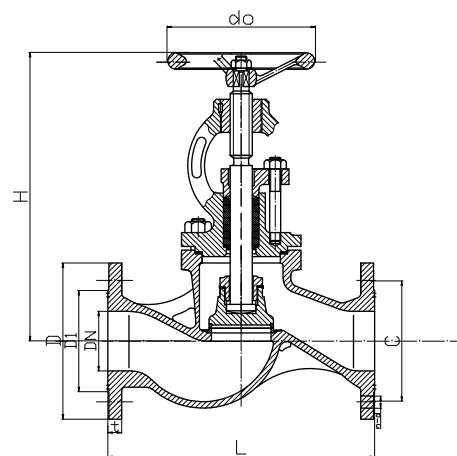
BODY : GG.25
BONNET : GG.25
SEAT : SUS316
DISC : SUS316
STEM : SUS316

TECHNICAL FEATURES

MODEL : ECO. 241 (STOP TYPE)
 : ECO. 268 (SDNR TYPE)
CONNECTION : DIN PN10
CERTIFICATION : 3.1 MILL CERTIFICATE

DIMENSION SPECIFICATION

L : FACE TO FACE
D : F.O.D
C : P.C.D
NO : NUMBER OF HOLES
H : DIAMETER OF HOLES
W : WEIGHT



CODE STOP	CODE SDNR	DN	L	D	C	NO	h	W
755231	755231-NR	15	130	95	65	4	14	4,5
755232	755232-NR	20	150	105	75	4	14	5,5
755233	755233-NR	25	160	115	85	4	14	8,5
755234	755234-NR	32	180	140	100	4	18	9
755235	755235-NR	40	200	150	110	4	18	12,5
755236	755236-NR	50	230	165	125	4	18	15,5
755237	755237-NR	65	290	185	145	4	18	22
755238	755238-NR	80	310	200	160	8	18	27,5
755239	755239-NR	100	350	220	180	8	18	38,5
755240	755240-NR	125	400	250	210	8	18	60
755241	755241-NR	150	480	285	240	8	22	83
755243	755243-NR	200	600	340	295	8	22	127
755244	755244-NR	250	730	395	350	12	22	255
755245	755245-NR	300	850	445	400	12	22	355



VALVE TURKIYE

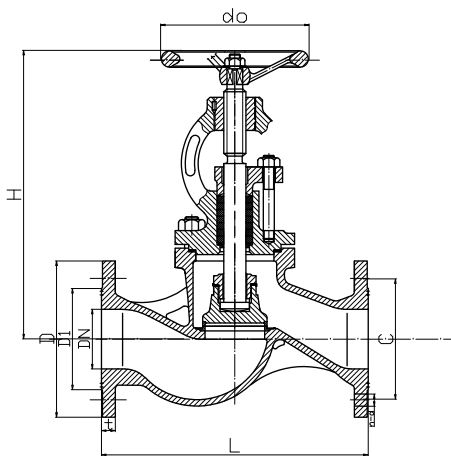
+90 232 616 17 19
 valves@adamarine.com

VALVE EUROPE

+31 180 22 4000
 valves.nl@adamarine.com

VALVE ASIA

+86 186 2606 6553
 valves.ch@adamarine.com



APPLICATION

Aboard ships for hot and cold water, fresh water, sea water, oil and steam.

MATERIAL SPECIFICATION

BODY : GGG40.3
BONNET : GGG40.3
SEAT : BRONZE
DISC : BRONZE
STEM : BRASS

TECHNICAL FEATURES

MODEL : ECO. 263 (STOP TYPE)
 : ECO. 263-NR (SDNR TYPE)
CONNECTION : DIN PN10
CERTIFICATION : DNV-GL CLASS CERTIFICATE

DIMENSION SPECIFICATION

L : FACE TO FACE
D : F.O.D
C : P.C.D
NO : NUMBER OF HOLES
H : DIAMETER OF HOLES
W : WEIGHT

CODE STOP	CODE SDNR	DN	L	D	C	NO	h	W
755401	755401-NR	15	130	95	65	4	14	4,5
755402	755402-NR	20	150	105	75	4	14	5,5
755403	755403-NR	25	160	115	85	4	14	8,5
755404	755404-NR	32	180	140	100	4	18	9
755405	755405-NR	40	200	150	110	4	18	12,5
755406	755406-NR	50	230	165	125	4	18	15,5
755407	755407-NR	65	290	185	145	4	18	22
755408	755408-NR	80	310	200	160	8	18	27,5
755409	755409-NR	100	350	220	180	8	18	38,5
755410	755410-NR	125	400	250	210	8	18	60
755411	755411-NR	150	480	285	240	8	22	83
755413	755413-NR	200	600	340	295	8	22	127
755414	755414-NR	250	730	395	350	12	22	255
755415	755415-NR	300	850	445	400	12	22	355

VALVE TURKIYE

+90 232 616 17 19
 valves@adamarine.com

VALVE EUROPE

+31 180 22 4000
 valves.nl@adamarine.com

VALVE ASIA

+86 186 2606 6553
 valves.ch@adamarine.com

56

APPLICATION

Aboard ships for hot and cold water, fresh water, sea water, oil and steam.

MATERIAL SPECIFICATION

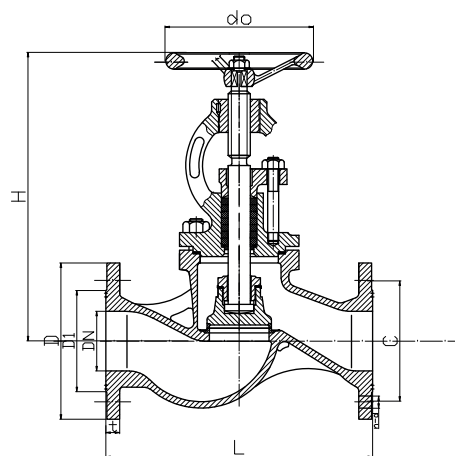
BODY : GS-C25
BONNET : GS-C25
SEAT : SUS316
DISC : SUS316
STEM : SUS316

TECHNICAL FEATURES

MODEL : ECO. 417 (STOP TYPE)
 : ECO. 417-NR (SDNR TYPE)
CONNECTION : DIN PN40
CERTIFICATION : DNV-GL CLASS CERTIFICATE

DIMENSION SPECIFICATION

L : FACE TO FACE
D : F.O.D
C : P.C.D
NO : NUMBER OF HOLES
H : DIAMETER OF HOLES
W : WEIGHT



CODE STOP	CODE SDNR	DN	L	D	C	NO	h	W
755326	755326-NR	15	130	95	65	4	14	4,8
755327	755327-NR	20	150	105	75	4	14	5,4
755328	755328-NR	25	160	115	85	4	14	7,1
755329	755329-NR	32	180	140	100	4	18	8
755330	755330-NR	40	200	150	110	4	18	11,5
755331	755331-NR	50	230	165	125	4	18	13,5
755332	755332-NR	65	290	185	145	8	18	23,5
755333	755333-NR	80	310	200	160	8	18	28
755334	755334-NR	100	350	235	190	8	22	40
755335	755335-NR	125	400	270	220	8	26	61
755336	755336-NR	150	480	300	250	8	26	84
755338	755338-NR	200	600	375	320	12	30	170
755339	755339-NR	250	730	450	385	12	33	283
755340	755340-NR	300	850	515	450	16	33	414



VALVE TURKIYE

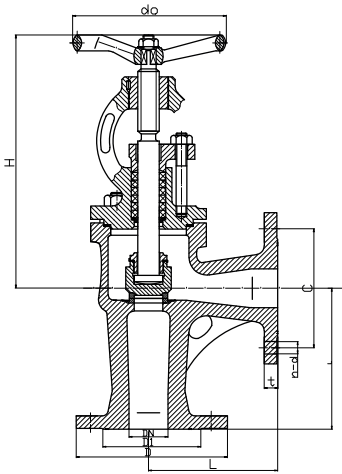
+90 232 616 17 19
 valves@adamarine.com

VALVE EUROPE

+31 180 22 4000
 valves.nl@adamarine.com

VALVE ASIA

+86 186 2606 6553
 valves.ch@adamarine.com



APPLICATION

Aboard ships for hot and cold water, fresh water, sea water, oil and steam.

MATERIAL SPECIFICATION

BODY : GG-25
BONNET : GG-25
SEAT : SU316
DISC : SU316
STEM : SU316

TECHNICAL FEATURES

MODEL : ECO. 242 (STOP TYPE)
 : ECO. 269 (SDNR TYPE)
CONNECTION : DIN PN10
CERTIFICATION : 3.1 MILL CERTIFICATE

DIMENSION SPECIFICATION

L : CENTER TO FACE
D : F.O.D
C : P.C.D
NO : NUMBER OF HOLES
H : DIAMETER OF HOLES
W : WEIGHT

CODE STOP	CODE SDNR	DN	L	D	C	NO	h	W
755246	755246-NR	15	90	95	65	4	14	4
755247	755247-NR	20	95	105	75	4	14	4,5
755248	755248-NR	25	100	115	85	4	14	5,6
755249	755249-NR	32	105	140	100	4	18	6,6
755250	755250-NR	40	115	150	110	4	18	9,2
755251	755251-NR	50	125	165	125	4	18	11,6
755252	755252-NR	65	145	185	145	4	18	17
755253	755253-NR	80	155	200	160	8	18	22,6
755254	755254-NR	100	175	220	180	8	18	33
755255	755255-NR	125	200	250	210	8	18	46
755256	755256-NR	150	225	285	240	8	22	68
755258	755258-NR	200	275	340	295	8	22	100
755259	755259-NR	250	325	395	350	12	22	204
755260	755260-NR	300	375	445	400	12	22	260

VALVE TURKIYE

+90 232 616 17 19
 valves@adamarine.com

VALVE EUROPE

+31 180 22 4000
 valves.nl@adamarine.com

VALVE ASIA

+86 186 2606 6553
 valves.ch@adamarine.com

58

APPLICATION

Aboard ships for hot and cold water, fresh water, sea water, oil and steam.

MATERIAL SPECIFICATION

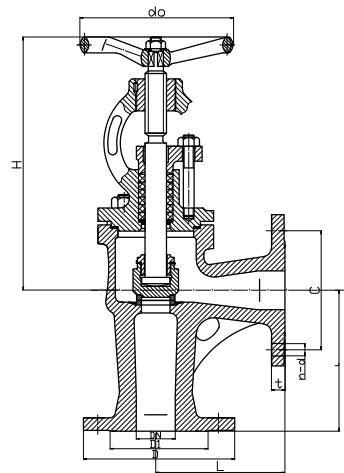
BODY : GGG40.3
BONNET : GGG40.3
SEAT : BRONZE
DISC : BRONZE
STEM : BRASS

TECHNICAL FEATURES

MODEL : ECO. 264 (STOP TYPE)
 : ECO. 264-NR (SDNR TYPE)
CONNECTION : DIN PN10
CERTIFICATION : DNV-GL CLASS CERTIFICATE

DIMENSION SPECIFICATION

L : CENTER TO FACE
D : F.O.D
C : P.C.D
NO : NUMBER OF HOLES
H : DIAMETER OF HOLES
W : WEIGHT



CODE STOP	CODE SDNR	DN	L	D	C	NO	h	W
755416	755416-NR	15	90	95	65	4	14	4
755417	755417-NR	20	95	105	75	4	14	4,5
755418	755418-NR	25	100	115	85	4	14	5,6
755419	755419-NR	32	105	140	100	4	18	6,6
755420	755420-NR	40	115	150	110	4	18	9,2
755421	755421-NR	50	125	165	125	4	18	11,6
755422	755422-NR	65	145	185	145	4	18	17
755423	755423-NR	80	155	200	160	8	18	22,6
755424	755424-NR	100	175	220	180	8	18	33
755425	755425-NR	125	200	250	210	8	18	46
755426	755426-NR	150	225	285	240	8	22	68
755428	755428-NR	200	275	340	295	8	22	100
755429	755429-NR	250	325	395	350	12	22	204
755430	755430-NR	300	375	445	400	12	22	260



VALVE TURKIYE

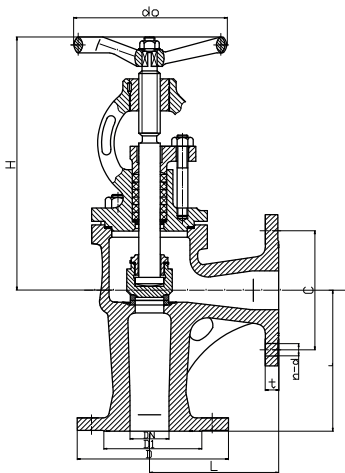
+90 232 616 17 19
 valves@adamarine.com

VALVE EUROPE

+31 180 22 4000
 valves.nl@adamarine.com

VALVE ASIA

+86 186 2606 6553
 valves.ch@adamarine.com



APPLICATION

Aboard ships for hot and cold water, fresh water, sea water, oil and steam.

MATERIAL SPECIFICATION

BODY : GS-C25
BONNET : GS-C25
SEAT : SU316
DISC : SU316
STEM : SU316

TECHNICAL FEATURES

MODEL : ECO. 418 (STOP TYPE)
 : ECO. 418-NR (SDNR TYPE)
CONNECTION : DIN PN40
CERTIFICATION : DNV-GL CLASS CERTIFICATE

DIMENSION SPECIFICATION

L : CENTER TO FACE
D : F.O.D
C : P.C.D
NO : NUMBER OF HOLES
H : DIAMETER OF HOLES
W : WEIGHT

CODE STOP	CODE SDNR	DN	L	D	C	NO	h	W
755341	755341-NR	15	90	95	65	4	14	5,2
755342	755342-NR	20	95	105	75	4	14	7,2
755343	755343-NR	25	100	115	85	4	14	7,4
755344	755344-NR	32	105	140	100	4	18	8,4
755345	755345-NR	40	115	150	110	4	18	12,4
755346	755346-NR	50	125	165	125	4	18	13,6
755347	755347-NR	65	145	185	145	8	18	20
755348	755348-NR	80	155	200	160	8	18	25
755349	755349-NR	100	175	220	190	8	22	34
755350	755350-NR	125	200	250	220	8	22	53
755351	755351-NR	150	225	285	250	8	22	70
755353	755353-NR	200	275	375	320	12	30	148
755354	755354-NR	250	325	450	385	12	33	188
755355	755355-NR	300	375	515	450	16	33	327

VALVE TURKIYE

+90 232 616 17 19
 valves@adamarine.com

VALVE EUROPE

+31 180 22 4000
 valves.nl@adamarine.com

VALVE ASIA

+86 186 2606 6553
 valves.ch@adamarine.com

60

APPLICATION

Aboard ships for hot and cold water, fresh water, sea water, oil and steam.

MATERIAL SPECIFICATION

BODY : GS-C25
BONNET : GS-C25
SEAT : BRONZE
DISC : BRONZE
STEM : BRASS

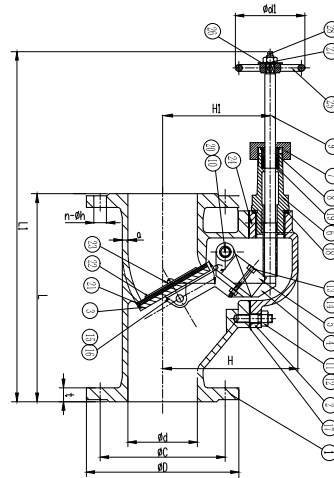


TECHNICAL FEATURES

MODEL : ECO. 1209
CONNECTION : DIN PN10
CERTIFICATION : DNV-GL CLASS CERTIFICATE

DIMENSION SPECIFICATION

L : FACE TO FACE
D : F.O.D
C : P.C.D
NO : NUMBER OF HOLES
H : DIAMETER OF HOLES
W : WEIGHT



CODE	DN	L	D	C	NO	h	W
754291	50	200	165	125	4	18	17
754292	65	240	185	145	4	18	21
754293	80	260	200	160	8	18	29
754294	100	300	220	180	8	18	38
754295	125	350	250	210	8	18	56
754296	150	400	285	240	8	22	67



VALVE TURKIYE

+90 232 616 17 19
 valves@adamarine.com

VALVE EUROPE

+31 180 22 4000
 valves.nl@adamarine.com

VALVE ASIA

+86 186 2606 6553
 valves.ch@adamarine.com



APPLICATION

Aboard ships for hot and cold water, fresh water, sea water, oil and steam.

MATERIAL SPECIFICATION

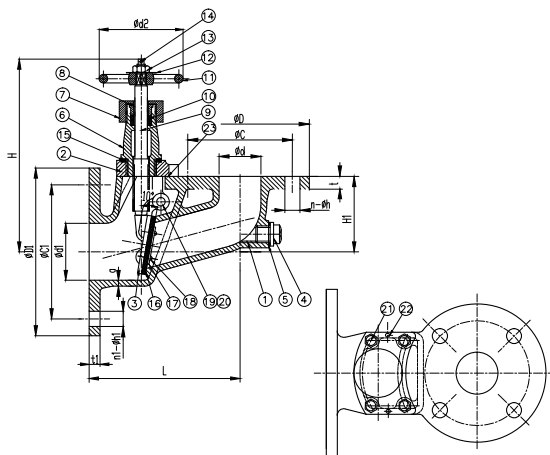
- BODY** : GS-C25
- BONNET** : GS-C25
- SEAT** : BRONZE
- DISC** : BRONZE
- STEM** : BRASS

TECHNICAL FEATURES

- MODEL** : ECO. 1207
- CONNECTION** : DIN PN10
- CERTIFICATION** : DNV-GL CLASS CERTIFICATE

DIMENSION SPECIFICATION

- L** : CENTER TO FACE
- D** : F.O.D
- C** : P.C.D
- NO** : NUMBER OF HOLES
- H** : DIAMETER OF HOLES
- W** : WEIGHT



CODE	DN	L	D	C	NO	h	W
754277	50	180	165	125	4	18	12
754278	65	200	185	145	4	18	14
754279	80	215	200	160	8	18	18
754280	100	250	220	180	8	18	27
754281	125	290	250	210	8	18	37
754282	150	330	285	240	8	22	49

VALVE TURKIYE

+90 232 616 17 19
valves@adamarine.com

VALVE EUROPE

+31 180 22 4000
valves.nl@adamarine.com

VALVE ASIA

+86 186 2606 6553
valves.ch@adamarine.com

62

APPLICATION

Aboard ships for hot and cold water, fresh water, sea water, oil and steam.

MATERIAL SPECIFICATION

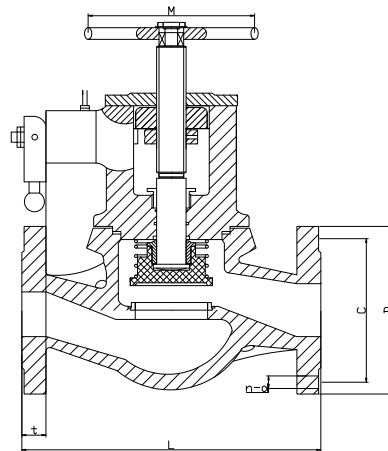
BODY : GGG40
BONNET : GGG40
SEAT : SUS316
DISC : SUS316
STEM : SUS316

TECHNICAL FEATURES

MODEL : ECO. 100/247HP
CONNECTION : DIN PN10
CERTIFICATION : DNV-GL CLASS CERTIFICATE

DIMENSION SPECIFICATION

L : FACE TO FACE
D : F.O.D
C : P.C.D
NO : NUMBER OF HOLES
H : DIAMETER OF HOLES
W : WEIGHT



CODE	DN	L	D	C	NO	h	W
874621	15	130	95	65	4	14	5,0
874622	20	150	105	75	4	14	6,0
874623	25	160	115	85	4	14	6,5
874624	32	180	140	100	4	18	9,5
874625	40	200	150	110	4	18	12,5
874626	50	230	165	125	4	18	17
874627	65	290	185	145	4	18	28
874628	80	310	200	160	8	18	31
874629	100	350	220	180	8	18	45
874630	125	400	250	210	8	18	66
874645	150	480	285	240	8	22	74,5



VALVE TURKIYE

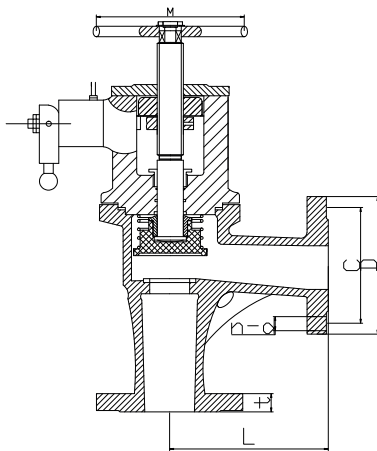
+90 232 616 17 19
 valves@adamarine.com

VALVE EUROPE

+31 180 22 4000
 valves.nl@adamarine.com

VALVE ASIA

+86 186 2606 6553
 valves.ch@adamarine.com



APPLICATION

Aboard ships for hot and cold water, fresh water, sea water, oil and steam.

MATERIAL SPECIFICATION

- BODY** : GGG40
- BONNET** : GGG40
- SEAT** : SUS316
- DISC** : SUS316
- STEM** : SUS316

TECHNICAL FEATURES

- MODEL** : ECO. 100/248HP
- CONNECTION** : DIN PN10
- CERTIFICATION** : DNV-GL CLASS CERTIFICATE

DIMENSION SPECIFICATION

- L** : CENTER TO FACE
- D** : F.O.D
- C** : P.C.D
- NO** : NUMBER OF HOLES
- H** : DIAMETER OF HOLES
- W** : WEIGHT

CODE	DN	L	D	C	NO	h	W
874631	15	90	95	65	4	14	5,0
874632	20	95	105	75	4	14	6,0
874633	25	100	115	85	4	14	6,5
874634	32	105	140	100	4	18	9,5
874635	40	115	150	110	4	18	12,5
874636	50	125	165	125	4	18	17
874637	65	145	185	145	4	18	28
874638	80	155	200	160	8	18	31
874639	100	175	220	180	8	18	45
874640	125	200	250	210	8	18	66
874641	150	225	285	240	8	22	74,5

VALVE TURKIYE

+90 232 616 17 19
valves@adamarine.com

VALVE EUROPE

+31 180 22 4000
valves.nl@adamarine.com

VALVE ASIA

+86 186 2606 6553
valves.ch@adamarine.com

64

APPLICATION

Aboard ships for hot and cold water, fresh water, sea water, oil and steam.

MATERIAL SPECIFICATION

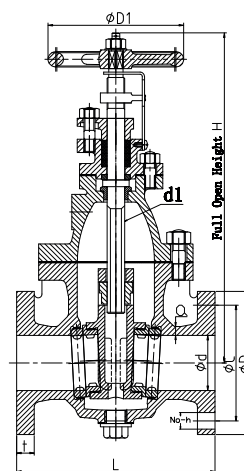
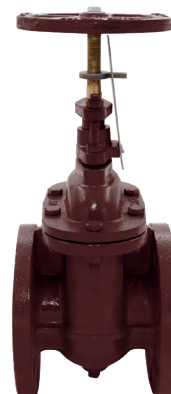
BODY : GGG40.3
BONNET : GGG40.3
SEAT : BRONZE
DISC : BRONZE
STEM : BRASS

TECHNICAL FEATURES

MODEL : : ECO 317KL
CONNECTION : : PN10
CERTIFICATION : : DNV-GL CLASS CERTIFICATE

DIMENSION SPECIFICATION

L : FACE TO FACE
D : F.O.D
C : P.C.D
NO : NUMBER OF HOLES
H : DIAMETER OF HOLES
W : WEIGHT



CODE	DN	L	C	NO	H	W	TOP FLANGE					
							d	c	no	h2	H	T-FLG
755661	40	140	150	110	4	18	11	70	4	9	9	F07
755662	50	150	165	125	4	18	13	70	4	9	9	F07
755663	65	170	185	145	4	18	17	70	4	9	9	F07
755664	80	180	200	160	8	18	20	70	4	9	11	F07
755665	100	190	220	180	8	18	28	70	4	9	9	F07
755666	125	200	250	210	8	18	40	70	4	9	11	F07
755667	150	210	285	240	8	22	50	70	4	9	9	F07
755668	200	230	340	295	8	22	63	70	4	9	11	F07
755669	250	250	395	350	12	22	80	70	4	9	9	F07
755670	300	270	445	400	12	22	130	70	4	9	11	F07
755671	350	290	505	460	16	22	170	70	4	9	14	F07
755672	400	310	565	515	16	26	230	70	4	9	14	F07



VALVE TURKIYE

+90 232 616 17 19
 valves@adamarine.com

VALVE EUROPE

+31 180 22 4000
 valves.nl@adamarine.com

VALVE ASIA

+86 186 2606 6553
 valves.ch@adamarine.com



APPLICATION

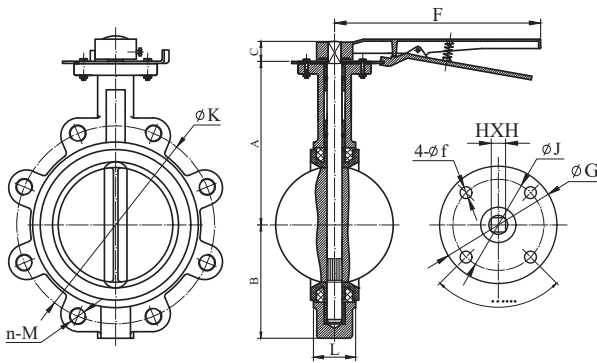
Aboard ships for hot and cold water, fresh water, sea water, oil and steam.

MATERIAL SPECIFICATION

- BODY** : GG-25 & GGG.40
- SEAT** : NBR
- DISC** : ALBC
- STEM** : SUS316

TECHNICAL FEATURES

- MODEL** : SERIES 52
- CONNECTION** : PN10
- ACTUATION** : LOCK LEVER
- CERTIFICATION** : 3.1 MILL CERTIFICATE
- : DNV-GL CLASS CERTIFICATE



DIMENSION SPECIFICATION

- L** : FACE TO FACE
- C** : P.C.D
- NO** : NUMBER OF HOLES
- H** : DIAMETER OF HOLES
- W** : WEIGHT

TOP FLANGE

- d** : OUTSIDE DIAMETER
- c** : P.C.D
- no** : NUMBER OF HOLES
- h2** : DIAMETER OF HOLES
- H** : SHAFT
- T-FLG** : TOP FLANGE STANDARD

CODE	DN	L	C	NO	H	W	TOP FLANGE					
							d	c	no	h2	H	T-FLG
754431	50	43	125	4	M16	4,1	90	70	4	9	9	F07
754432	65	46	145	4	M16	5,5	90	70	4	9	9	F07
754433	80	46	160	8	M16	6,8	90	70	4	9	9	F07
754434	100	52	180	8	M16	8,6	90	70	4	9	11	F07
754435	125	56	210	8	M16	10,5	90	70	4	9	14	F07
754436	150	56	240	8	M20	12,5	90	70	4	9	14	F07

VALVE **TURKIYE**

+90 232 616 17 19
valves@adamarine.com

VALVE **EUROPE**

+31 180 22 4000
valves.nl@adamarine.com

VALVE **ASIA**

+86 186 2606 6553
valves.ch@adamarine.com

BUTTERFLY VALVE LUG | CONCENTRIC

66

APPLICATION

Aboard ships for hot and cold water, fresh water, sea water, oil and steam.

MATERIAL SPECIFICATION

BODY : GG-25 & GGG.40
SEAT : NBR
DISC : ALBC
STEM : SUS316



TECHNICAL FEATURES

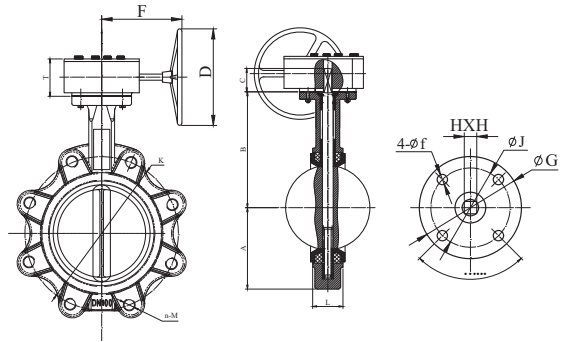
MODEL : SERIES 52
CONNECTION : PN10
ACTUATION : WORM GEAR ACTUATOR
CERTIFICATION : 3.1 MILL CERTIFICATE
 : DNV-GL CLASS CERTIFICATE

DIMENSION SPECIFICATION

L : FACE TO FACE
C : P.C.D
NO : NUMBER OF HOLES
H : DIAMETER OF HOLES
W : WEIGHT

TOP FLANGE

d : OUTSIDE DIAMETER
c : P.C.D
no : NUMBER OF HOLES
h2 : DIAMETER OF HOLES
H : SHAFT
T-FLG : TOP FLANGE STANDARD



CODE	DN	L	C	NO	H	W	TOP FLANGE					
							d	c	no	h2	H	T-FLG
754431-G	50	43	125	4	M16	4,1	90	70	4	9	9	F07
754432-G	65	46	145	4	M16	5,5	90	70	4	9	9	F07
754433-G	80	46	160	8	M16	6,8	90	70	4	9	9	F07
754434-G	100	52	180	8	M16	8,6	90	70	4	9	11	F07
754435-G	125	56	210	8	M16	10,5	90	70	4	9	14	F07
754436-G	150	56	240	8	M20	12,5	90	70	4	9	14	F07
754437	200	60	295	8	M20	21,4	125	102	4	12	17	F10
754438	250	68	350	12	M20	29,3	125	102	4	12	22	F10
754439	300	78	400	12	M20	44	150	125	4	14	22	F12
754440	350	78	460	16	M20	62,2	150	125	4	14	22	F12
754441	400	114	515	16	M22	112	150	125	4	14	27	F12
754442	450	127	565	20	M22	153	210	165	4	22	27	F16



VALVE TURKIYE

+90 232 616 17 19
 valves@adamarine.com

VALVE EUROPE

+31 180 22 4000
 valves.nl@adamarine.com

VALVE ASIA

+86 186 2606 6553
 valves.ch@adamarine.com



APPLICATION

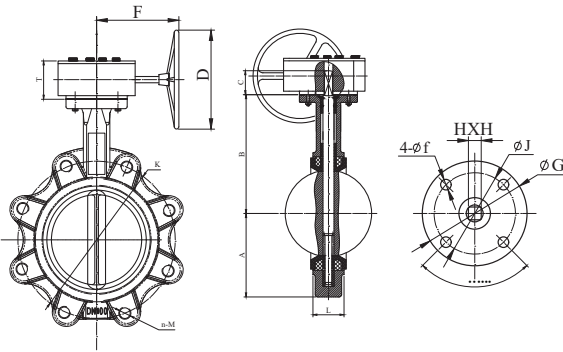
Aboard ships for hot and cold water, fresh water, sea water, oil and steam.

MATERIAL SPECIFICATION

- BODY** : GG-25 & GGG.40
- SEAT** : NBR
- DISC** : ALBC
- STEM** : SUS316

TECHNICAL FEATURES

- MODEL** : SERIES 52
- CONNECTION** : PN16
- ACTUATION** : WORM GEAR ACTUATOR
- CERTIFICATION** : 3.1 MILL CERTIFICATE
: DNV-GL CLASS CERTIFICATE



DIMENSION SPECIFICATION

- L** : FACE TO FACE
- C** : P.C.D
- NO** : NUMBER OF HOLES
- H** : DIAMETER OF HOLES
- W** : WEIGHT

TOP FLANGE

- d** : OUTSIDE DIAMETER
- c** : P.C.D
- no** : NUMBER OF HOLES
- h2** : DIAMETER OF HOLES
- H** : SHAFT
- T-FLG** : TOP FLANGE STANDARD

CODE	DN	L	C	NO	H	W	TOP FLANGE					
							d	c	no	h2	H	T-FLG
754446	50	43	125	4	M16	4,1	90	70	4	9	9	F07
754447	65	46	145	4	M16	5,5	90	70	4	9	9	F07
754448	80	46	160	8	M16	6,8	90	70	4	9	9	F07
754449	100	52	180	8	M16	8,6	90	70	4	9	11	F07
754450	125	56	210	8	M16	10,5	90	70	4	9	14	F07
754451	150	56	240	8	M20	12,5	90	70	4	9	14	F07
754452	200	60	295	12	M20	21,4	125	102	4	12	17	F10
754453	250	68	355	12	M24	29,3	125	102	4	12	22	F10
754454	300	78	410	12	M24	44	150	125	4	14	22	F12
754455	350	78	470	16	M24	62,2	150	125	4	14	22	F12
754456	400	114	525	16	M27	112	150	125	4	14	27	F12
754457	450	127	585	20	M27	153	210	165	4	22	27	F16

VALVE **TURKIYE**

+90 232 616 17 19
valves@adamarine.com

VALVE **EUROPE**

+31 180 22 4000
valves.nl@adamarine.com

VALVE **ASIA**

+86 186 2606 6553
valves.ch@adamarine.com

BUTTERFLY VALVE FLANGED CONCENTRIC

68

APPLICATION

Aboard ships for hot and cold water, fresh water, sea water, oil and steam.

MATERIAL SPECIFICATION

BODY : GGG.40
SEAT : NBR
DISC : ALBC
STEM : SUS316

TECHNICAL FEATURES

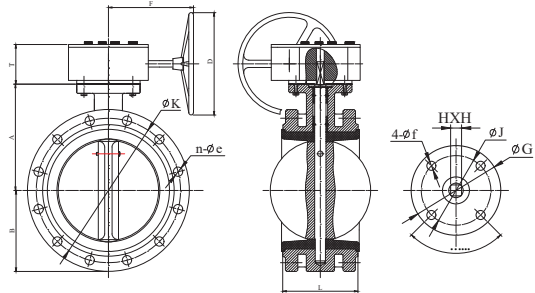
MODEL : SERIES 53
CONNECTION : PN10
ACTUATION : WORM GEAR ACTUATOR
CERTIFICATION : 3.1 MILL CERTIFICATE
 : DNV-GL CLASS CERTIFICATE

DIMENSION SPECIFICATION

L : FACE TO FACE
C : P.C.D
NO : NUMBER OF HOLES
H : DIAMETER OF HOLES
W : WEIGHT

TOP FLANGE

d : OUTSIDE DIAMETER
c : P.C.D
no : NUMBER OF HOLES
h2 : DIAMETER OF HOLES
H : SHAFT
T-FLG : TOP FLANGE STANDARD



CODE	DN	L	C	NO	H	W	TOP FLANGE					
							d	c	no	h2	H	T-FLG
754581-G	50	108	125	4	18	4,1	90	70	4	9	9	F07
754582-G	65	112	145	4	18	5,5	90	70	4	9	9	F07
754583-G	80	114	160	8	18	6,8	90	70	4	9	9	F07
754584-G	100	127	180	8	18	8,6	90	70	4	9	11	F07
754585-G	125	140	210	8	18	10,5	90	70	4	9	14	F07
754586-G	150	140	240	8	22	12,5	90	70	4	9	14	F07
754587	200	152	295	8	22	21,4	125	102	4	12	17	F10
754588	250	165	355	12	22	29,3	125	102	4	12	22	F10
754589	300	178	410	12	22	44	150	125	4	14	22	F12
754590	350	190	470	16	22	62,2	150	125	4	14	22	F12
754591	400	216	525	16	26	112	150	125	4	14	27	F12
754592	450	222	585	20	26	153	210	165	4	22	27	F16
754593	500	229	650	20	26	150	210	165	4	22	36	F16
754594	600	267	770	20	30	200	210	165	4	22	36	F16



VALVE TURKIYE

+90 232 616 17 19
 valves@adamarine.com

VALVE EUROPE

+31 180 22 4000
 valves.nl@adamarine.com

VALVE ASIA

+86 186 2606 6553
 valves.ch@adamarine.com



APPLICATION

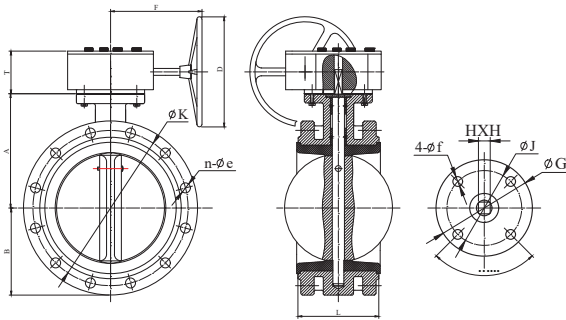
Aboard ships for hot and cold water, fresh water, sea water, oil and steam.

MATERIAL SPECIFICATION

BODY : GGG.40
SEAT : NBR
DISC : ALBC
STEM : SUS316

TECHNICAL FEATURES

MODEL : SERIES 53
CONNECTION : PN16
ACTUATION : WORM GEAR ACTUATOR
CERTIFICATION : 3.1 MILL CERTIFICATE
 : DNV-GL CLASS CERTIFICATE



DIMENSION SPECIFICATION

L : FACE TO FACE
C : P.C.D
NO : NUMBER OF HOLES
H : DIAMETER OF HOLES
W : WEIGHT

TOP FLANGE

d : OUTSIDE DIAMETER
c : P.C.D
no : NUMBER OF HOLES
h2 : DIAMETER OF HOLES
H : SHAFT
T-FLG : TOP FLANGE STANDARD

CODE	DN	L	C	NO	H	W	TOP FLANGE					
							d	c	no	h2	H	T-FLG
754601	50	103	125	4	18	4,1	90	70	4	9	9	F07
754602	65	112	145	4	18	5,5	90	70	4	9	9	F07
754603	80	114	160	8	18	6,8	90	70	4	9	9	F07
754604	100	127	180	8	18	8,6	90	70	4	9	11	F07
754605	125	140	210	8	18	10,5	90	70	4	9	14	F07
754606	150	140	240	8	22	12,5	90	70	4	9	14	F07
754607	200	152	295	12	22	21,4	125	102	4	12	17	F10
754608	250	165	355	12	26	29,3	125	102	4	12	22	F10
754609	300	178	410	12	26	44	150	125	4	14	22	F12
754610	350	190	470	16	26	62,2	150	125	4	14	22	F12
754611	400	216	525	16	30	112	150	125	4	14	27	F12
754612	450	222	585	20	30	153	210	165	4	22	27	F16
754613	500	229	650	20	33	150	210	165	4	22	36	F16
754614	600	267	770	20	36	200	210	165	4	22	36	F16

VALVE **TURKIYE**
 +90 232 616 17 19
 valves@adamarine.com

VALVE **EUROPE**
 +31 180 22 4000
 valves.nl@adamarine.com

VALVE **ASIA**
 +86 186 2606 6553
 valves.ch@adamarine.com



DOUBLE ECCENTRIC
VALVES

INFORMATION OF HIGH PERFORMANCE VALVES

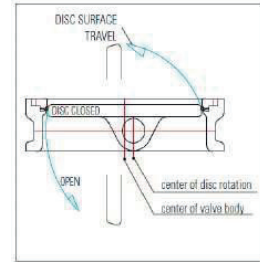
72

HIGH-PERFORMANCE BUTTERFLY VALVES

- The High-performance design
- The axis of disc rotation is double eccentric offset to the seat ring.
- When the disc rotates, it unseats at a small turning angle by this cam effect.
- This prevents seat abrasion and provides perfect seal for a long period.

APPLICATION

- Marine tankers-shipbuilding
- Offshore/Onshore plants, Oil&gas production platform
- Chemical and Petro-chemical plants
- Water treatment-purification
- Steel and metal plants
- Military application
- Foundry
- Pulp and paper plants
- Food plants
- Textile industry
- Sugar refining
- Fire safe piping system
- LPG



SCHEMA OF HIGH-PERFORMANCE TYPE

This product is of heavy load designed for high pressure flow application. It is widely adopted for cargo valves of product and chemical tankers, steam and air conditioning in buildings, chemical and petro-chemical plants, nuclear power plants and high pressure piping system in general.

OPERATIONS

The following operation of the valves are possible, the choice is depending upon the valve location The following operation of the valves are possible, the choice is depending upon the valve location

- Manual lever operation
- Manual worm gear operation
- Pneumatic actuator operation
- Hydraulic actuator operation
- Electric motor actuator operation

Construction of Materials

NO	PART NAME	MATERIAL
1	BODY	CAST IRON / DUCTILE IRON / CAST STEEL / STAINLESS STEEL / AL-BRONZE
2	DISC	CAST STEEL / STAINLESS STEEL / AL-BRONZE
3	SEAT	STAINLESS STEEL / TEFLON / RUBBER
4	STEM	STAINLESS STEEL (304, 316, 316L, 630, 17-4PH, Monel)
5	DISC PIN	STAINLESS STEEL
6	RETAINER	STAINLESS STEEL / AL-BRONZE / MILD STEEL
7	RETAINER BOLT	STAINLESS STEEL
8	THRUST PLATE	BRONZE / STAINLESS STEEL
9	BOTTOM COVER	STAINLESS STEEL / AL-BRONZE / MILD STEEL
10	BOTTOM BOLT	STAINLESS STEEL / MILD STEEL
11	BOTTOM GASKET	TEFLON / GRAPHITE / RUBBER
12	BOTTOM GLAND	STAINLESS STEEL / AL-BRONZE / MILD STEEL
13	PACKING	TEFLON / GRAPHITE / RUBBER
14	ACTUATOR STAND	MILD STEEL
15	STEEM BEARING	TEFLON / STAINLESS STEEL / BRONZE
16	STEEM BEARING	TEFLON / STAINLESS STEEL / BRONZE
17	BOLT & NUT	STAINLESS STEEL / MILD STEEL
18	GLAND RING	STAINLESS STEEL / AL-BRONZE / MILD STEEL
19	ANTI STATIC DEVICE	STAINLESS STEEL / MILD STEEL / IF NECESSARY



VALVE **TURKIYE**

+90 232 616 17 19
valves@adamarine.com

VALVE **EUROPE**

+31 180 22 4000
valves.nl@adamarine.com

VALVE **ASIA**

+86 186 2606 6553
valves.ch@adamarine.com

DESCRIPTION

Double eccentric High Performance butterfly valves suitable for bi-directional flow and bubble tight shut-off at full rated pressure (not for metal seat type) with Direct Mount ISO table, adjustable gland packing, blow-out proof stem, pinned disc and spring supported seat design.

NUMBERING SYSTEM

Series FHW :	High Performance WAFER	type Fire safe seat butterfly Valve
Series FHS :	High Performance SEMI-LUG	type Fire safe seat butterfly Valve
Series FHL :	High Performance LUG	type Fire safe seat butterfly Valve
Series FHF :	High Performance FLANGED	type Fire safe seat butterfly Valve
Series HWR :	High Performance WAFER	type rubber safe seat butterfly Valve
Series HSR :	High Performance SEMI-LUG	type rubber safe seat butterfly Valve
Series HLR :	High Performance LUG	type rubber safe seat butterfly Valve
Series HFR :	High Performance FLANGED	type rubber safe seat butterfly Valve
Series HWT :	High Performance WAFER	type Teflon safe seat butterfly Valve
Series HST :	High Performance SEMI-LUG	type Teflon safe seat butterfly Valve
Series HLT :	High Performance LUG	type Teflon safe seat butterfly Valve
Series HFT :	High Performance FLANGED	type Teflon safe seat butterfly Valve
Series MHW :	High Performance WAFER	type Metal safe seat butterfly Valve
Series MHS :	High Performance SEMI-LUG	type Metal safe seat butterfly Valve
Series MHL :	High Performance LUG	type Metal safe seat butterfly Valve
Series MHF :	High Performance FLANGED	type Metal safe seat butterfly Valve



FACE TO FACE

EN 558, API 609, ISO 5752, KSV 7490, JIS F7480, BS 5155 or MSS SP 68

PRODUCTION RANGE

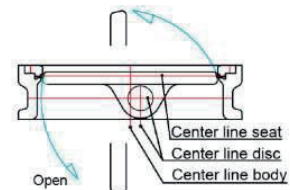
SIZE	: DN 50 - DN 1500 (2" - 60")
WORKING PRESSURE	: 0 to 50 Bar
WORKING TEMPERATURE	: - 55 °C to + 250 °C (Soft Seat)
WORKING TEMPERATURE	: -100 °C to +400 °C (Metal Seat)
WORKING TEMPERATURE	: -240 °C TO +287 °C (P287 Seat)

PRESSURE CLASSES

Pn6, 10,16, 25 (EN 1092, ISO 7005 [also Pn20])
ANSI/ASME 150 LBS, 300 LBS
KS/JIS 5K, 10K,16K, 20K and 30K

SEALING DESIGN

The center line disc has a double offset to the seat ring (Double eccentric design). When the disc opens, it unseats over a small rotation angle because of the cam effect caused by the double offset design. This prevents seat abrasion/wear providing a perfect seal over a long period of time.



SEAT CONFIGURATIONS

Product Group F : Fire Safe seat (API 607 certified), PTFE or RPTFE with metal back-up seat

Product Group H : Soft seat. PTFE, RPTFE or Rubber

Product Group M : Metal seat (No bubble tight shut off, consult us for details!)



MATERIALS

Cast Iron, Nodular Cast Iron

Cast Steel, Stainless Steel

Duplex and Super Duplex

Aluminium Bronze, Ni-Aluminium Bronze, Tin Bronze

Hastelloy

Monel

Titanium

Others on request

VALVE TURKIYE

+90 232 616 17 19
valves@adamarine.com

VALVE EUROPE

+31 180 22 4000
valves.nl@adamarine.com

VALVE ASIA

+86 186 2606 6553
valves.ch@adamarine.com

INFORMATION OF CARGO OIL VALVES

74

THE DOUBLE ECCENTRIC DESIGN

It effects friction-free contact between body and seat since the rotation axis(stem) of the valve disc is shifted from the center by a distance of the width of A and B, a cam effect is produced which prevents from wearing the seal surface, lessens seating torque and offers longer service life and easy operation.

APPLICATION OF PIPING SYSTEM

- Cargo oil system in the tanker
- Water ballast system
- Tank cleaning system
- Cargo tank venting and Inert gas system
- Bilge and Drainage system
- Sea water system
- Fresh water system
- Fuel oil and Diesel oil system
- Other piping system where applicable

SCHEMA OF DOUBLE ECCENTRIC TYPE

It is provided of heavy load designed for high pressure and high-flow rate application. It is widely adopted for cargo oil valves of tankers, FPSO, terminal and high flow rate piping with abundant reference. Semi-Lug, Lug and double flange type connections are available.

OPERATIONS

The following operation of the valve is available, the choice depending upon the valve location and the type of work and service for which the valve is used.

- Manual lever operation
- Manual worm gear operation
- Single or double acting pneumatic actuator operation
- Hydraulic actuator operation
- Electric motor actuator operation

Construction of Materials

NO	PART NAME	MATERIAL
1	BODY	CAST IRON/ DUCTILE IRON STAINLESS STEEL/ CARBON STEEL ALUMINUM BRONZE
2	DISC	STAINLESS STEEL/ CAST STEEL ALUMINUM BRONZE/ ALLOY STEEL
3	RETAINER	CAST IRON/ IRON STAINLESS STEEL/ CARBON STEEL ALUMINUMBRONZE
4	SEAT	NBR/VITON
5	STEM	STAINLESS STEEL (S\$304,316,410)
6	GLAND BUSH	STAINLESS STEEL/ BRONZE
7	RETAINER BOLT	STAINLESS STEEL/ GALV.STEEL
8	THRUST PLATE	STAINLESS STEEL/ BRONZE
9	STEM BARING	STAINLESS STEEL + PTFE
10	PACKING	NBR/VITON
11	BOTTOM COVER	CAST IRON/ DUCTILE IRON STAINLESS STEEL/ CARBON STEEL ALUMINUM BRONZE
12	GLAND BOLT	STAINLESS STEEL/ GALV.STEEL
13	BOTTOM BOLT	STAINLESS STEEL/ GALV.STEEL
14	OISC PIN	STAINLESS STEEL/ GALV.STEEL



VALVE **TURKIYE**

+90 232 616 17 19
valves@adamarine.com

VALVE **EUROPE**

+31 180 22 4000
valves.nl@adamarine.com

VALVE **ASIA**

+86 186 2606 6553
valves.ch@adamarine.com

DESCRIPTION

Double eccentric Cargo Oil butterfly valves suitable for bi-directional flow and bubble tight shut-off at full rated pressure with Direct Mount ISO table, preloaded V-gland packing, blow-out proof stem and replaceable metal seat ring with soft seal.

NUMBERING SYSTEM

Seris OSR :	Double Eccentric	Semi-Lug	Cargo Oil type butterfly Valve
Seris OLR :	Double Eccentric	Lug	Cargo Oil type butterfly Valve
Seris OFR :	Double Eccentric	Flanger	Cargo Oil type butterfly Valve



SEMI-LUG



LUG



FLANGED

FACE TO FACE

KSV 7490 and JIS F7480

PRODUCTION RANGE

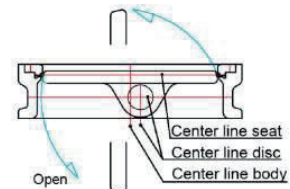
SIZE	: Dn50 - DN 1000 (2"-40")
WORKING PRESSURE	: 0 to 40 Bar
WORKING TEMPERATURE	: -20 °C to 250 °C

PRESSURE CLASSES

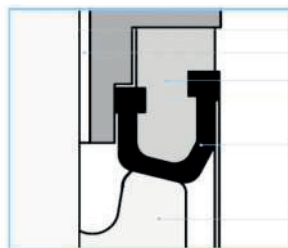
Pn6, Pm0, Pm6, and Pn25 (EN 1092, ISO 7005 [also Pn201])
ANSI/ASME 150# and 300#
KS/JIS 5K, 10K, 16K, 20K and 30K

SEALING DESIGN

The center line disc has a double offset to the seat ring (Double eccentric design). When the disc opens, it unseats over a small rotation angle because of the cam effect caused by the double offset design. This prevents seat abrasion/wear providing a perfect seal over a long period of time.



SEAT CONFIGURATIONS



- Stem Bearing Retainer Ring** Available in several materials.
- Soft Seat** Bonded to the metal retainer ring by heat treatment. Available in EPDM, NBR or Viton depending on application.
- Disc**

MATERIALS

Cast Iron, Nodular Cast Iron
Cast Steel, Stainless Steel
Duplex and Super Duplex
Aluminium Bronze, Ni-Aluminium Bronze, Tin Bronze
Others on request

VALVE TURKIYE

+90 232 616 17 19
valves@adamarine.com

VALVE EUROPE

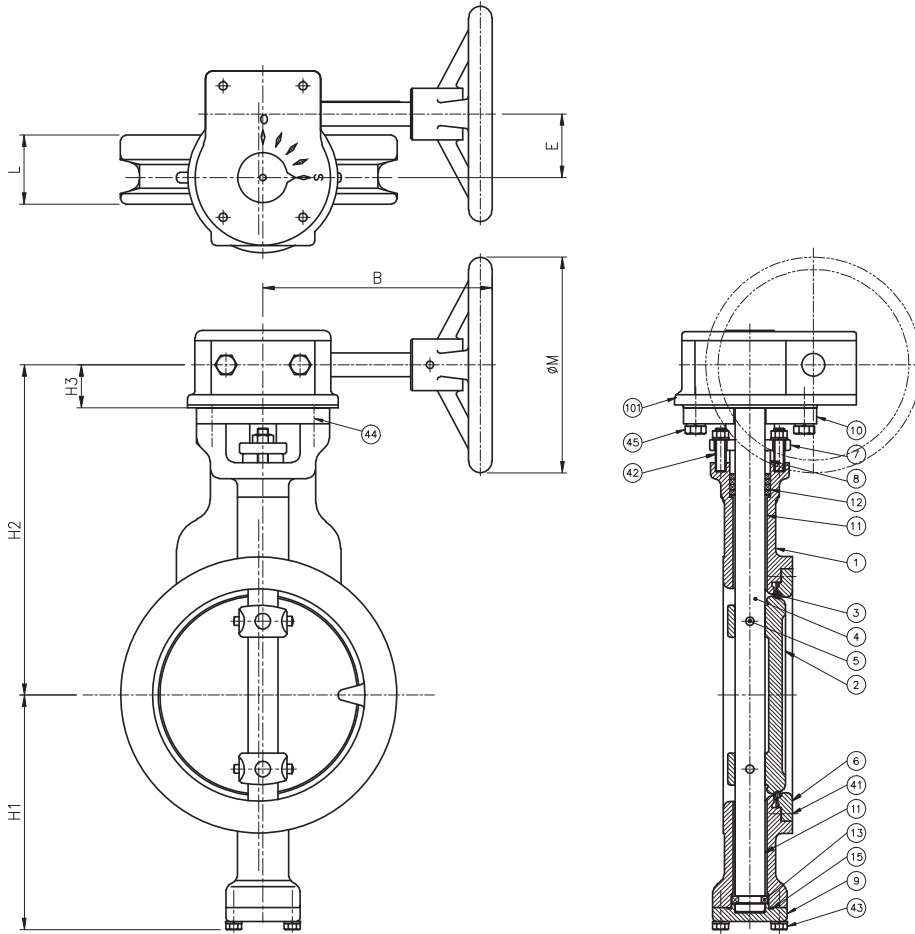
+31 180 22 4000
valves.nl@adamarine.com

VALVE ASIA

+86 186 2606 6553
valves.ch@adamarine.com

MODEL: HWR

76



HIGH-PERFORMANCE WAFER TYPE RUBBER SEAT BUTTERFLY VALVES

MATERIAL SPECIFICATION

BODY : A216 WCB
DISC : A351 CF8
STEM : A256 T410
SEAT : VITON

JIS 10K & 16K & 20K **DIN** PN16 & PN25 & PN40

VALVES ARE WITHOUT DRILL. CAN BE DRILLED AS ABOVE FLANGE CONNECTIONS.

DIMENSION

SIZE		d	L	H	H1	H2	H3	STEM			TOP FLANGE			WEIGHT (KG)		
INCH	MM							D	KEY SIZE	SQUARE SQ	H4	TYPE	N		M	N-Z
2"	50	50	43	331	118	168	45	16	5x5	12	33	F07	70	90	4-9	4,5
2,5"	65	65	46	355	133	177	45	16	5x5	12	33	F07	70	90	4-9	5,5
3"	80	80	48	374	144	185	45	19	6x6	12	33	F07	70	90	4-9	9,0
4"	100	100	54	409	164	200	45	19	6x6	12	33	F07	70	90	4-9	10,0
5"	125	125	57	450	188	217	45	19	6x6	12	33	F07	70	90	4-9	13,0
6"	150	150	57	490	205	240	45	19	6x6	12	33	F07	70	90	4-9	17,0
8"	200	200	64	553	223	270	60	25	8x7	17	55	F10	102	125	4-12	26,0
10"	250	250	71	655	275	320	60	25	8x7	22	55	F10	102	125	4-12	40,0



VALVE TURKIYE

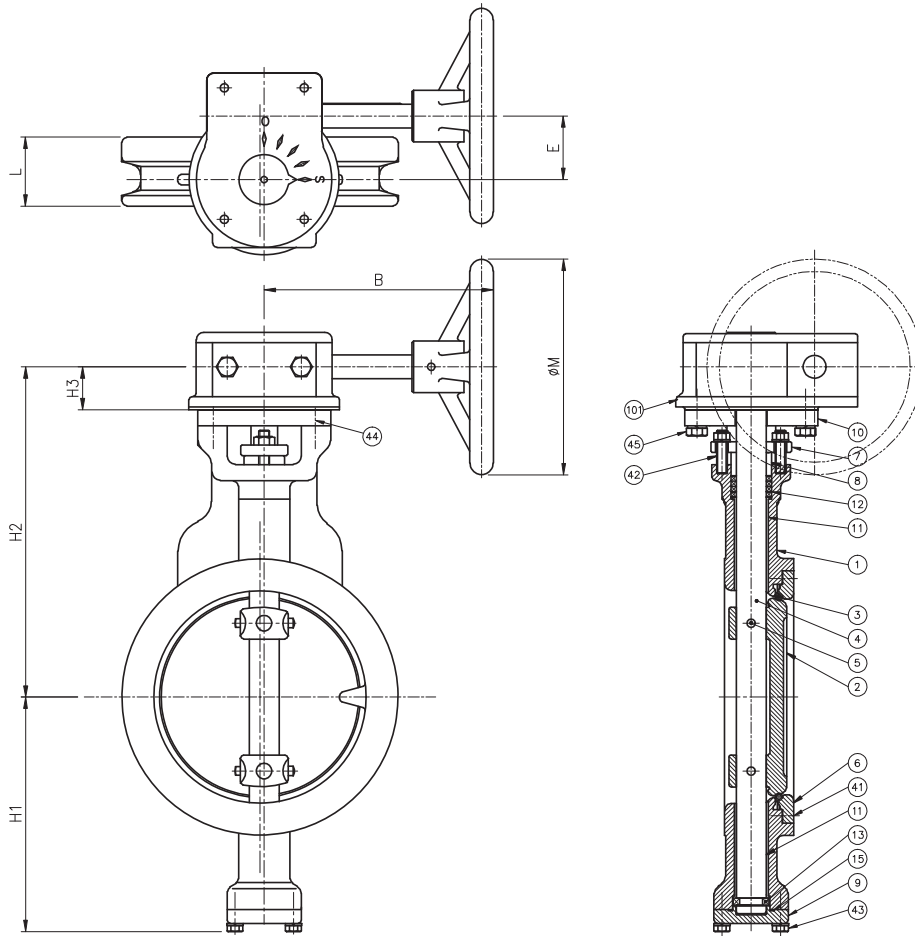
+90 232 616 17 19
 valves@adamarine.com

VALVE EUROPE

+31 180 22 4000
 valves.nl@adamarine.com

VALVE ASIA

+86 186 2606 6553
 valves.ch@adamarine.com



HIGH-PERFORMANCE WAFER TYPE TEFLON SEAT BUTTERFLY VALVES

MATERIAL SPECIFICATION

BODY : A351 CF8
DISC : A351 CF8
STEM : A256 T410
SEAT : PTFE

JIS 10K & 16K & 20K **DIN PN16 & PN25 & PN40**

VALVES ARE WITHOUT DRILL. CAN BE DRILLED AS ABOVE FLANGE CONNECTIONS

DIMENSION

SIZE		d	L	H	H1	H2	H3	STEM			TOP FLANGE				WEIGHT (KG)	
INCH	MM							D	KEY SIZE	SQUARE SQ	H4	TYPE	N	M		N-Z
2"	50	50	43	331	118	168	45	16	5x5	12	33	F07	70	90	4-9	4,5
2,5"	65	65	46	355	133	177	45	16	5x5	12	33	F07	70	90	4-9	5,5
3"	80	80	48	374	144	185	45	19	6x6	12	33	F07	70	90	4-9	9,0
4"	100	100	54	409	164	200	45	19	6x6	12	33	F07	70	90	4-9	10,0
5"	125	125	57	450	188	217	45	19	6x6	12	33	F07	70	90	4-9	13,0
6"	150	150	57	490	205	240	45	19	6x6	12	33	F07	70	90	4-9	17,0
8"	200	200	64	553	223	270	60	25	8x7	17	55	F10	102	125	4-12	26,0
10"	250	250	71	655	275	320	60	25	8x7	22	55	F10	102	125	4-12	40,0

VALVE **TURKIYE**

+90 232 616 17 19
 valves@adamarine.com

VALVE **EUROPE**

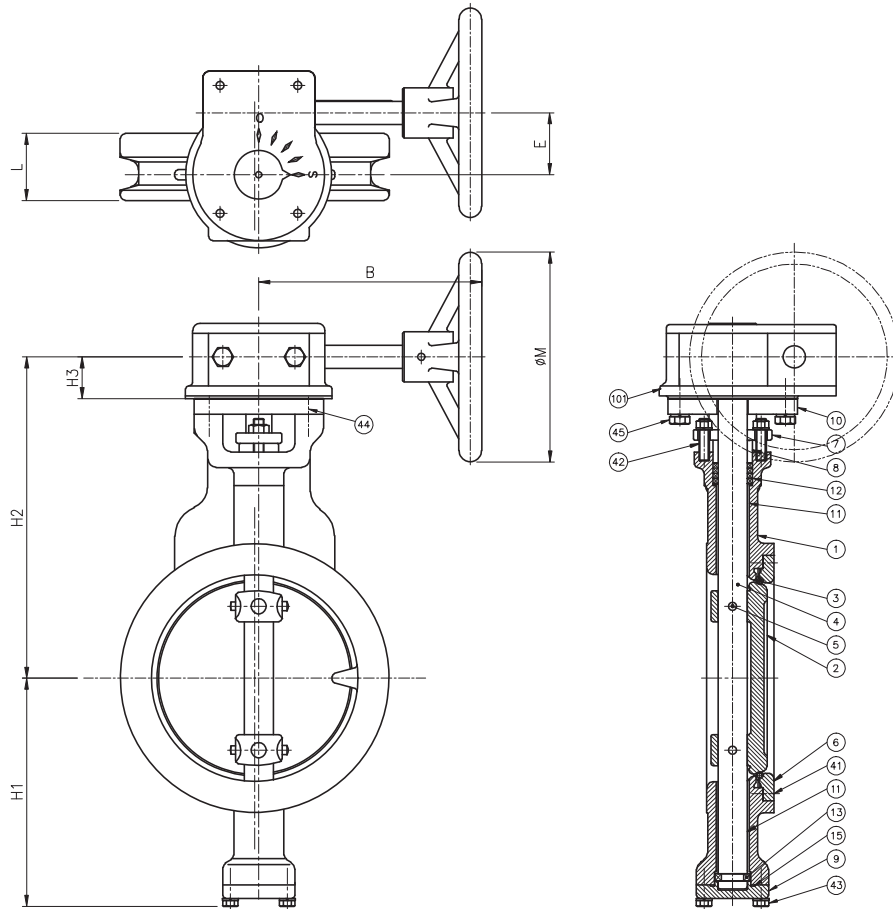
+31 180 22 4000
 valves.nl@adamarine.com

VALVE **ASIA**

+86 186 2606 6553
 valves.ch@adamarine.com

MODEL: HWP-A73

78



HIGH-PERFORMANCE WAFER TYPE RUBBER SEAT BUTTERFLY VALVES

MATERIAL SPECIFICATION

BODY : A351 CF8
DISC : A351 CF8
STEM : 17-4PHSS
SEAT : P287

JIS 10K & 16K & 20K **DIN** PN16 & PN25 & PN40

VALVES ARE WITHOUT DRILL. CAN BE DRILLED AS ABOVE FLANGE CONNECTIONS.

DIMENSION

SIZE		d	L	H	H1	H2	H3	STEM				TOP FLANGE				WEIGHT (KG)
INCH	MM							D	KEY SIZE	SQUARE		TYPE	N	M	N-Z	
				SQ	H4											
2"	50	50	43	218,5	79	126	13,5	X	X	11	13,5	F05	50	70	4-9	3
2,5"	65	65	46	226,5	87	126	13,5	X	X	11	13,5	F05	50	70	4-9	4
3"	80	80	48	262,5	100	145	17,5	X	X	11	17,5	F07	70	90	4-9	5
4"	100	100	54	311,5	124	170	17,5	X	X	14	17,5	F07	70	90	4-9	6
5"	125	125	57	346,5	144	185	17,5	X	X	14	17,5	F07	70	90	4-9	9
6"	150	150	57	371,5	150	203	18,5	X	X	17	18,5	F10	102	125	4-12	12
8"	200	200	64	449,5	186	239	24,5	X	X	22	24,5	F10	102	125	4-12	19
10"	250	250	71	539,5	240	275	24,5	X	X	27	24,5	F10	102	125	4-12	33
12"	300	300	81	588	251	307	30	X	X	27	30	F12	125	140	4-12	42
14"	350	350	91	661	294	337	30	X	X	36	30	F12	125	140	4-12	61
16"	400	400	102	730	332	368	30	X	X	46	30	F14	140	175	4-18	88



VALVE TURKIYE

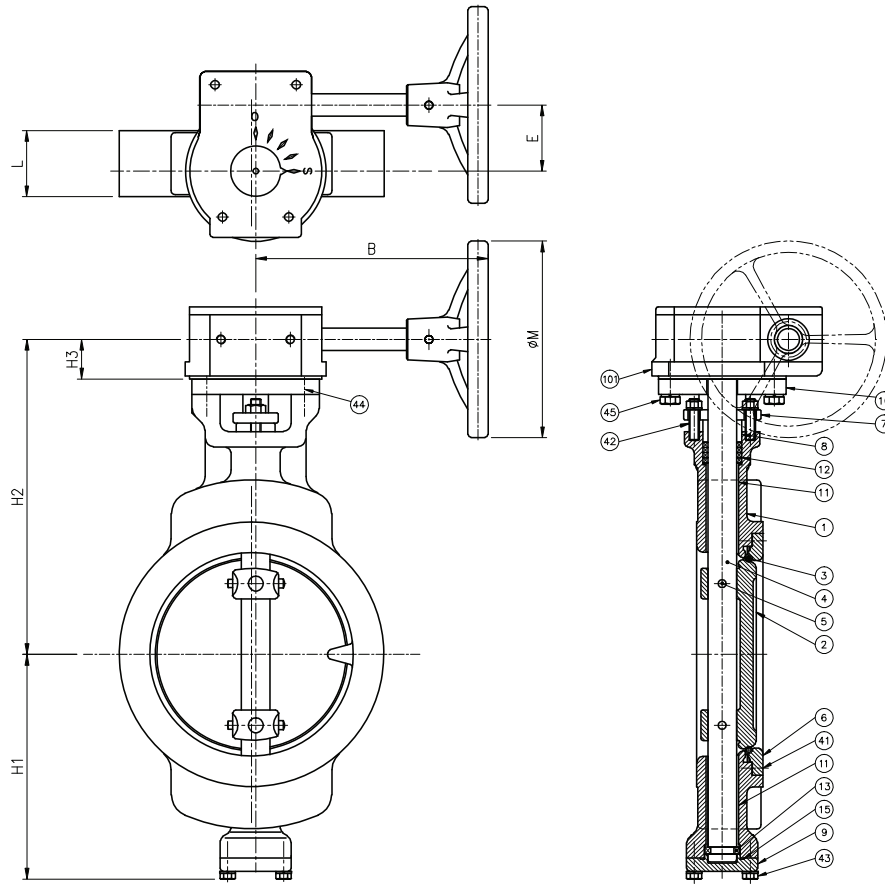
+90 232 616 17 19
 valves@adamarine.com

VALVE EUROPE

+31 180 22 4000
 valves.nl@adamarine.com

VALVE ASIA

+86 186 2606 6553
 valves.ch@adamarine.com



HIGH-PERFORMANCE SEMI-LUG TYPE RUBBER SEAT BUTTERFLY VALVES

MATERIAL SPECIFICATION

BODY : A216 WCB
DISC : A351 CF8
STEM : A256 T410
SEAT : VITON

JIS 10K & 16K & 20K **DIN** PN16 & PN25 & PN40

VALVES ARE WITHOUT DRILL. CAN BE DRILLED AS ABOVE FLANGE CONNECTIONS.

DIMENSION

SIZE		d	L	H	H1	H2	H3	STEM				TOP FLANGE				WEIGHT (KG)
INCH	MM							D	KEY SIZE	SQUARE		TYPE	N	M	N-Z	
				SQ	H4											
2"	50	50	43	331	118	168	45	16	5x5	12	33	F07	70	90	4-9	5
2,5"	65	65	46	355	133	177	45	16	5x5	12	33	F07	70	90	4-9	6,5
3"	80	80	48	374	144	185	45	19	6x6	12	33	F07	70	90	4-9	10,5
4"	100	100	54	409	164	200	45	19	6x6	12	33	F07	70	90	4-9	15
5"	125	125	57	450	188	217	45	19	6x6	12	33	F07	70	90	4-9	18
6"	150	150	57	490	205	240	45	19	6x6	12	33	F07	70	90	4-9	25
8"	200	200	64	553	223	270	60	25	8x7	17	55	F10	102	125	4-12	36
10"	250	250	71	655	275	320	60	25	8x7	22	55	F10	102	125	4-12	56
12"	300	300	81	718	308	350	60	32	10x8	27	55	F10	102	125	4-12	68
14"	350	350	91	816	346	395	75	38	12x8	27	65	F14	104	175	4-18	93
16"	400	400	102	905	385	445	75	38	12x8	27	65	F14	140	175	4-18	121

VALVE TURKIYE

+90 232 616 17 19
 valves@adamarine.com

VALVE EUROPE

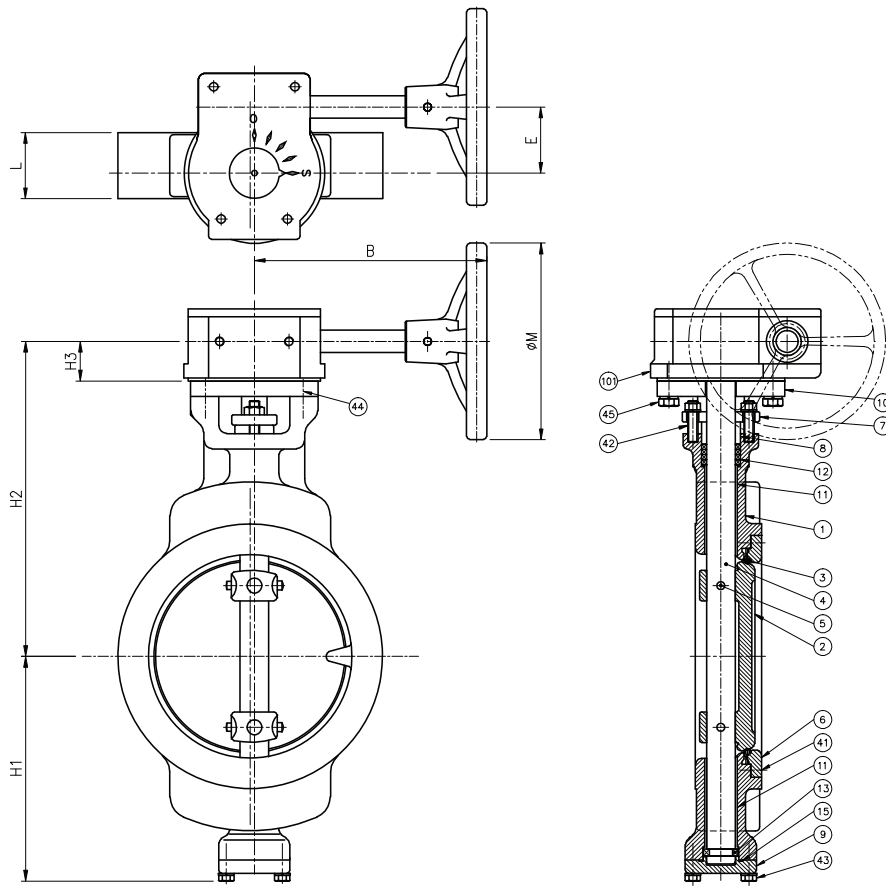
+31 180 22 4000
 valves.nl@adamarine.com

VALVE ASIA

+86 186 2606 6553
 valves.ch@adamarine.com

MODEL: HST

80



HIGH-PERFORMANCE SEMI-LUG TYPE TEFLON SEAT BUTTERFLY VALVES

MATERIAL SPECIFICATION

BODY : A351 CF8
DISC : A351 CF8
STEM : A256 T410
SEAT : PTFE

JIS 10K & 16K & 20K **DIN** PN16 & PN25 & PN40

VALVES ARE WITHOUT DRILL. CAN BE DRILLED AS ABOVE FLANGE CONNECTIONS.

DIMENSION

SIZE		d	L	H	H1	H2	H3	STEM			TOP FLANGE				WEIGHT (KG)	
INCH	MM							D	KEY SIZE	SQUARE	TYPE	N	M	N-Z		
				SQ	H4											
2"	50	50	43	331	118	168	45	16	5x5	12	33	F07	70	90	4-9	5
2,5"	65	65	46	355	133	177	45	16	5x5	12	33	F07	70	90	4-9	6,5
3"	80	80	48	374	144	185	45	19	6x6	12	33	F07	70	90	4-9	10,5
4"	100	100	54	409	164	200	45	19	6x6	12	33	F07	70	90	4-9	15
5"	125	125	57	450	188	217	45	19	6x6	12	33	F07	70	90	4-9	18
6"	150	150	57	490	205	240	45	19	6x6	12	33	F07	70	90	4-9	25
8"	200	200	64	553	223	270	60	25	8x7	17	55	F10	102	125	4-12	36
10"	250	250	71	655	275	320	60	25	8x7	22	55	F10	102	125	4-12	56
12"	300	300	81	718	308	350	60	32	10x8	27	55	F10	102	125	4-12	68
14"	350	350	91	816	346	395	75	38	12x8	27	65	F14	104	175	4-18	93
16"	400	400	102	905	385	445	75	38	12x8	27	65	F14	140	175	4-18	121



VALVE **TURKIYE**

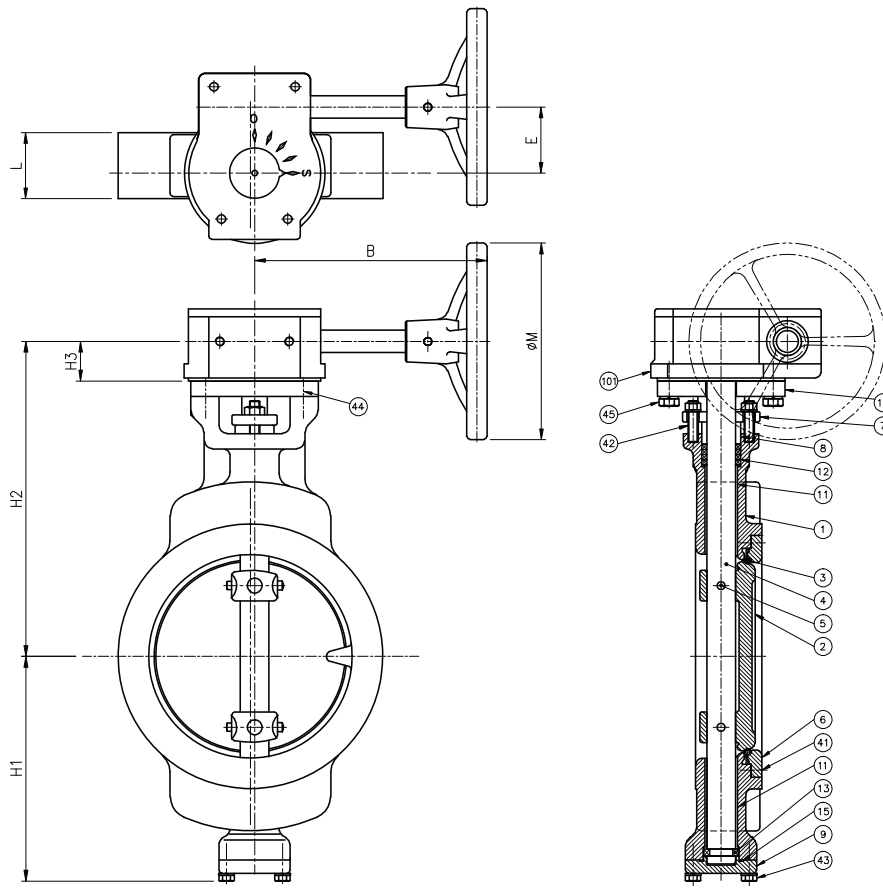
+90 232 616 17 19
 valves@adamarine.com

VALVE **EUROPE**

+31 180 22 4000
 valves.nl@adamarine.com

VALVE **ASIA**

+86 186 2606 6553
 valves.ch@adamarine.com



HIGH-PERFORMANCE SEMI-LUG TYPE TEFLON SEAT BUTTERFLY VALVES

MATERIAL SPECIFICATION

BODY : A351 CF8
DISC : A351 CF8
STEM : 17-4PHSS
SEAT : P287

JIS 10K & 16K & 20K **DIN** PN16 & PN25 & PN40

VALVES ARE WITHOUT DRILL. CAN BE DRILLED AS ABOVE FLANGE CONNECTIONS.

DIMENSION

SIZE		d	L	H	H1	H2	H3	STEM				TOP FLANGE				WEIGHT (KG)
INCH	MM							D	KEY SIZE	SQUARE		TYPE	N	M	N-Z	
								SQ	H4							
2"	50	50	43	218,5	79	126	13,5	X	X	11	13,5	F05	50	70	4-9	5
2,5"	65	65	46	226,5	87	126	13,5	X	X	11	13,5	F05	50	70	4-9	6
3"	80	80	48	262,5	100	145	17,5	X	X	11	17,5	F07	70	90	4-9	8
4"	100	100	54	311,5	124	170	17,5	X	X	14	17,5	F07	70	90	4-9	10
5"	125	125	57	346,5	144	185	17,5	X	X	14	17,5	F07	70	90	4-9	15
6"	150	150	57	371,5	150	203	18,5	X	X	17	18,5	F10	102	125	4-12	20
8"	200	200	64	449,5	186	239	24,5	X	X	22	24,5	F10	102	125	4-12	23
10"	250	250	71	539,5	240	275	24,5	X	X	27	24,5	F10	102	125	4-12	42
12"	300	300	81	588	251	307	30	X	X	27	30	F12	125	140	4-12	60
14"	350	350	91	661	294	337	30	X	X	36	30	F12	125	140	4-12	100
16"	400	400	102	730	332	368	30	X	X	46	30	F14	140	175	4-18	155

VALVE TURKIYE

+90 232 616 17 19
 valves@adamarine.com

VALVE EUROPE

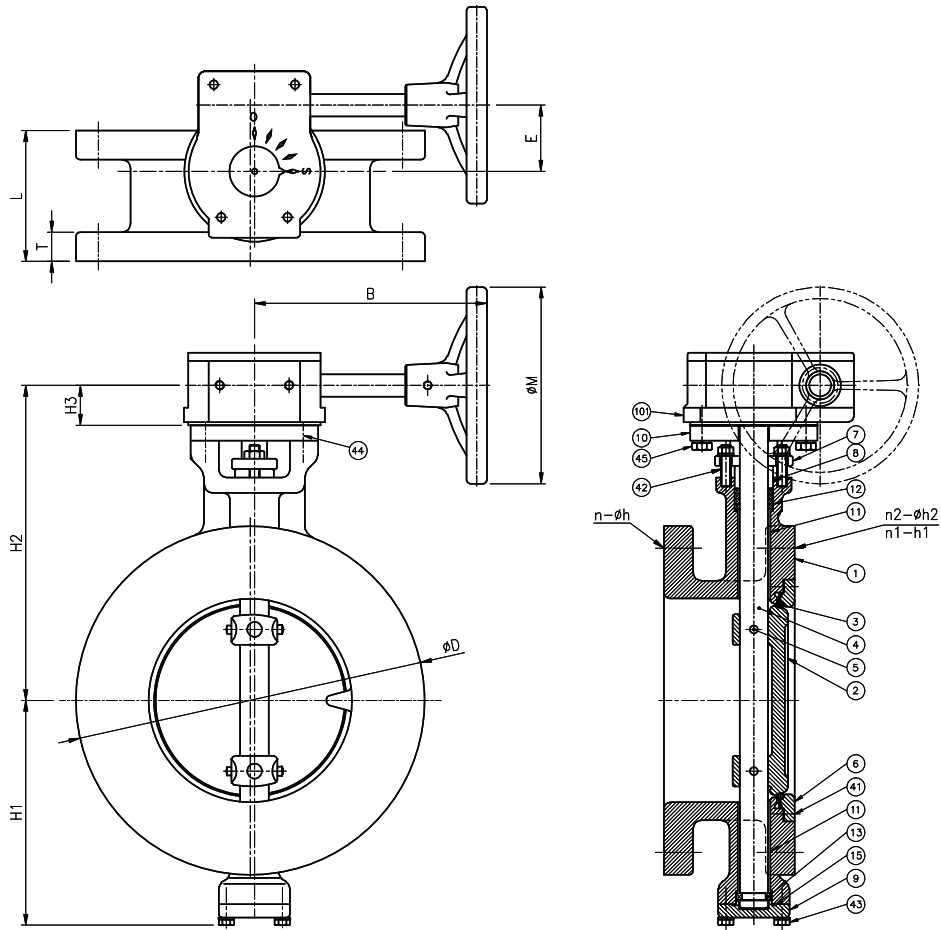
+31 180 22 4000
 valves.nl@adamarine.com

VALVE ASIA

+86 186 2606 6553
 valves.ch@adamarine.com

MODEL: HFR

82



HIGH-PERFORMANCE FLANGE TYPE RUBBER SEAT BUTTERFLY VALVES

MATERIAL SPECIFICATION

BODY : A216 WCB
DISC : A351 CF8
STEM : A256 T410
SEAT : VITON

JIS 10K & 16K & 20K **DIN** PN16 & PN25 & PN40

VALVES ARE WITHOUT DRILL. CAN BE DRILLED AS ABOVE FLANGE CONNECTIONS.

DIMENSION

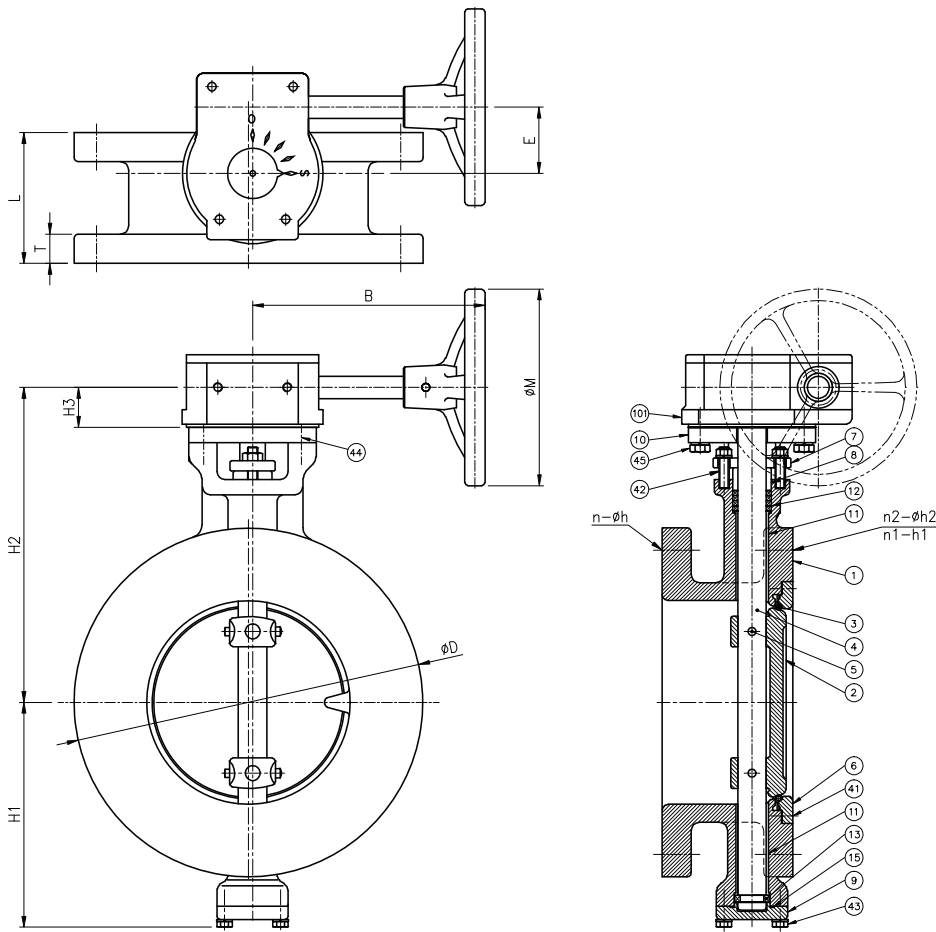
SIZE		d	L	H	H1	H2	H3	STEM			TOP FLANGE				WEIGHT (KG)	
INCH	MM							D	KEY SIZE	SQUARE SQ	H4	TYPE	N	M		N-Z
2"	50	50	108	331	118	168	45	16	5x5	12	33	F07	70	90	4-9	14
2,5"	65	65	112	355	133	177	45	16	5x5	12	33	F07	70	90	4-9	18
3"	80	80	114	374	144	185	45	19	6x6	12	33	F07	70	90	4-9	22
4"	100	100	127	409	164	200	45	19	6x6	12	33	F07	70	90	4-9	28
5"	125	125	140	450	188	217	45	19	6x6	12	33	F07	70	90	4-9	37
6"	150	150	140	490	205	240	45	19	6x6	12	33	F07	70	90	4-9	44
8"	200	200	152	553	223	270	60	25	8x7	17	55	F10	102	125	4-12	64
10"	250	250	165	655	275	320	60	25	8x7	22	55	F10	102	125	4-12	87
12"	300	300	178	718	308	350	60	32	10x8	27	55	F10	102	125	4-12	123



VALVE **TURKIYE**
 +90 232 616 17 19
 valves@adamarine.com

VALVE **EUROPE**
 +31 180 22 4000
 valves.nl@adamarine.com

VALVE **ASIA**
 +86 186 2606 6553
 valves.ch@adamarine.com



HIGH-PERFORMANCE FLANGE TYPE TEFLON SEAT BUTTERFLY VALVES

MATERIAL SPECIFICATION

BODY : A351 CF8
DISC : A351 CF8
STEM : A256 T410
SEAT : PTFE

JIS 10K & 16K & 20K **DIN PN16 & PN25 & PN40**

VALVES ARE WITHOUT DRILL. CAN BE DRILLED AS ABOVE FLANGE CONNECTIONS.

DIMENSION

SIZE		d	L	H	H1	H2	H3	STEM			TOP FLANGE				WEIGHT (KG)	
INCH	MM							D	KEY SIZE	SQUARE SQ	H4	TYPE	N	M		N-Z
2"	50	50	108	331	118	168	45	16	5x5	12	33	F07	70	90	4-9	14
2,5"	65	65	112	355	133	177	45	16	5x5	12	33	F07	70	90	4-9	18
3"	80	80	114	374	144	185	45	19	6x6	12	33	F07	70	90	4-9	22
4"	100	100	127	409	164	200	45	19	6x6	12	33	F07	70	90	4-9	28
5"	125	125	140	450	188	217	45	19	6x6	12	33	F07	70	90	4-9	37
6"	150	150	140	490	205	240	45	19	6x6	12	33	F07	70	90	4-9	44
8"	200	200	152	553	223	270	60	25	8x7	17	55	F10	102	125	4-12	64
10"	250	250	165	655	275	320	60	25	8x7	22	55	F10	102	125	4-12	87
12"	300	300	178	718	308	350	60	32	10x8	27	55	F10	102	125	4-12	123

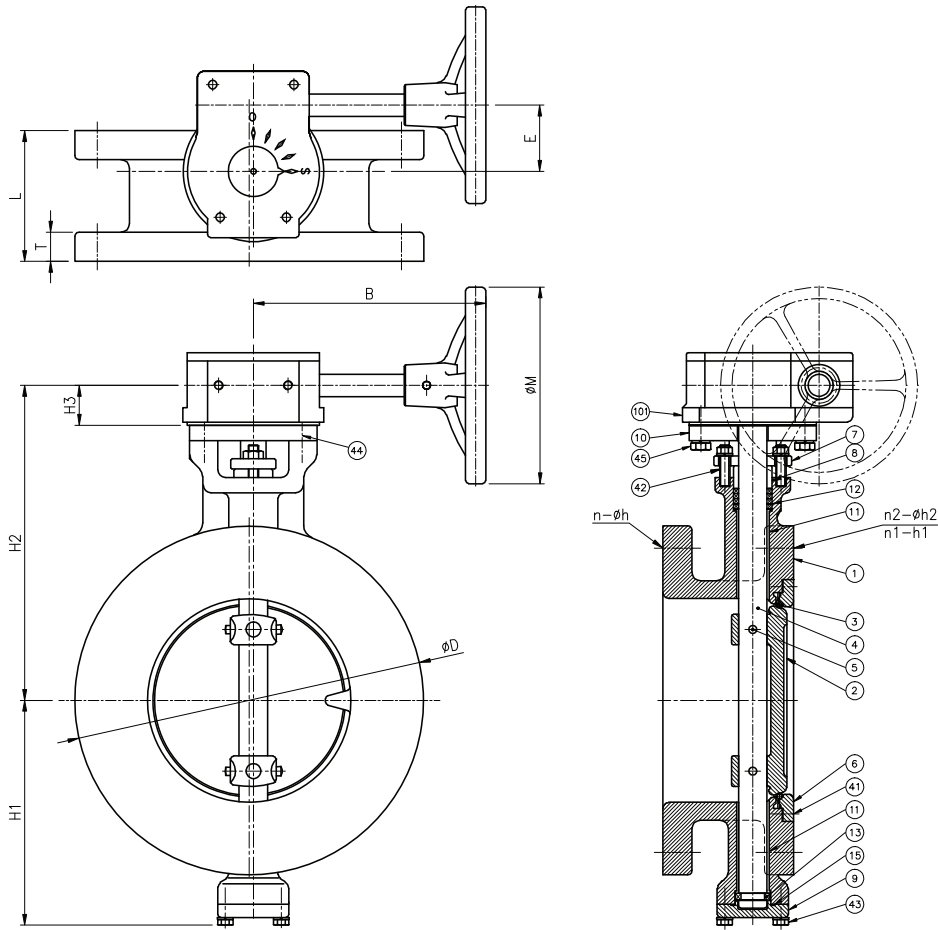
VALVE TURKIYE
 +90 232 616 17 19
 valves@adamarine.com

VALVE EUROPE
 +31 180 22 4000
 valves.nl@adamarine.com

VALVE ASIA
 +86 186 2606 6553
 valves.ch@adamarine.com

MODEL: HFP-A75

84



HIGH-PERFORMANCE FLANGE TYPE TEFLON SEAT BUTTERFLY VALVES

MATERIAL SPECIFICATION

BODY : A351 CF8
DISC : A351 CF8
STEM : 17-4PHS
SEAT : P287

JIS 10K & 16K & 20K **DIN** PN16 & PN25 & PN40

VALVES ARE WITHOUT DRILL. CAN BE DRILLED AS ABOVE FLANGE CONNECTIONS.

DIMENSION

SIZE		d	L	H	H1	H2	H3	STEM				TOP FLANGE				WEIGHT (KG)
INCH	MM							D	KEY SIZE	SQUARE		TYPE	N	M	N-Z	
				SQ	H4											
3"	80	80	48	262,5	100	145	17,5	X	X	14	17,5	F07	70	90	4-9	30
4"	100	100	54	311,5	124	170	17,5	X	X	14	17,5	F07	70	90	4-9	40
5"	125	125	57	346,5	144	185	17,5	X	X	14	17,5	F07	70	90	4-9	45
6"	150	150	57	371,5	150	203	18,5	X	X	17	18,5	F10	102	125	4-12	50
8"	200	200	64	449,5	186	239	24,5	X	X	22	24,5	F10	102	125	4-12	85
10"	250	250	71	539,5	240	275	24,5	X	X	27	24,5	F10	102	125	4-12	120
12"	300	300	81	588	251	307	30	X	X	27	30	F12	125	140	4-12	60
14"	350	350	91	661	294	337	30	X	X	36	30	F12	125	140	4-12	100
16"	400	400	102	730	332	368	30	X	X	46	30	F14	140	175	4-18	155



VALVE **TURKIYE**

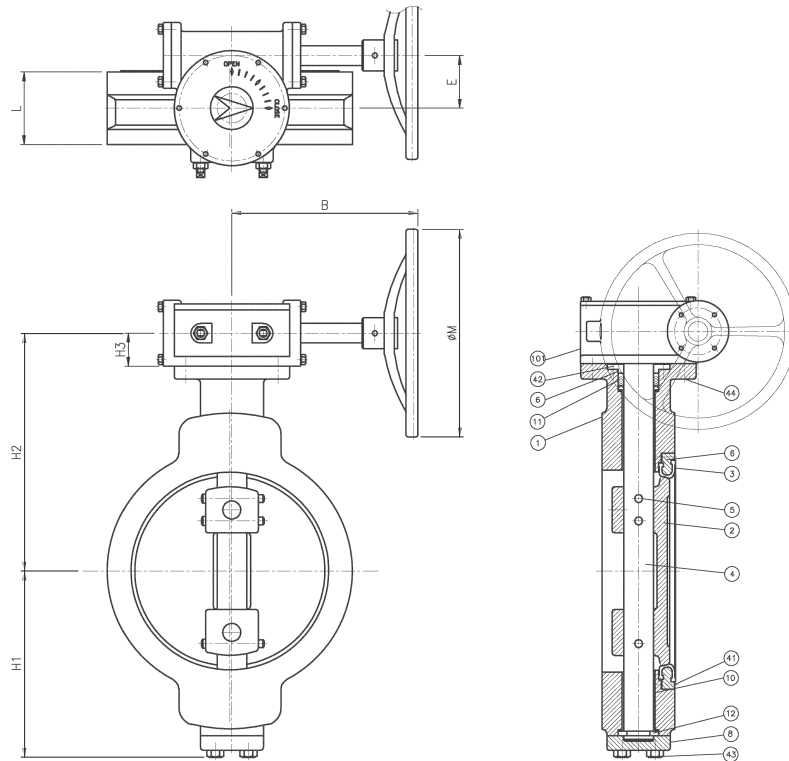
+90 232 616 17 19
 valves@adamarine.com

VALVE **EUROPE**

+31 180 22 4000
 valves.nl@adamarine.com

VALVE **ASIA**

+86 186 2606 6553
 valves.ch@adamarine.com



DOUBLE ECCENTRIC CARGO OIL SEMI-LUG TYPE BUTTERFLY VALVES

MATERIAL SPECIFICATION

BODY : A216 WCB
DISC : A351 CF8
STEM : A256 T410
SEAT : VITON

JIS 10K & 16K & 20K **DIN** PN16 & PN25 & PN40

VALVES ARE WITHOUT DRILL. CAN BE DRILLED AS ABOVE FLANGE CONNECTIONS.

DIMENSION

SIZE		d	L	H	H1	H2	H3	STEM				TOP FLANGE				WEIGHT
INCH	MM							SQUARE	STEM TOP FLANGE			TYPE	N	M	N-Z	
								SQ	D	H4	KEY					
2"	50	62	44	276	113	130	33	12	16	33	5x5	F07	70	90	4-9	5
2,5"	65	75	46	286	118	135	33	12	16	33	5x5	F07	70	90	4-9	6
3"	80	90	62	300	127	140	33	12	19	33	6x6	F07	70	90	4-9	8
4"	100	106	65	339	146	160	33	12	19	33	6x6	F07	70	90	4-9	11
5"	125	128	70	407	162	190	55	17	22	55	8x7	F10	70	90	4-12	18
6"	150	150	90	459	189	215	55	17	25	55	8x7	F10	102	125	4-12	25
8"	200	202	100	509	214	240	55	27	32	55	10x8	F10	102	125	4-12	36
10"	250	250	110	606	256	285	65	27	40	65	12x8	F14	140	175	4-18	48
12"	300	300	110	655	275	315	65	27	40	65	12x8	F14	149	175	4-18	68
14"	350	335	120	749	309	350	90	36	50	90	14x9	F16	165	210	4-22	75
16"	400	390	130	820	350	380	90	36	50	90	14x9	F16	165	210	4-22	110
18"	450	440	150	890	383	417	90	46	55	90	16x10	F16	165	210	4-22	125
20"	500	490	160	955	420	445	90	50	65	90	20x12	F16	165	210	4-22	185
22"	550	540	170	1021	454	477	90	50	70	90	20x12	F16	165	210	4-22	265
24"	600	594	200	1128	488	520	120	50	80	120	22x14	F24	254	300	8-18	315

VALVE TURKIYE

+90 232 616 17 19
 valves@adamarine.com

VALVE EUROPE

+31 180 22 4000
 valves.nl@adamarine.com

VALVE ASIA

+86 186 2606 6553
 valves.ch@adamarine.com

SPARE SEATS OF ACE VALVES

86

H SERIES (VITON)



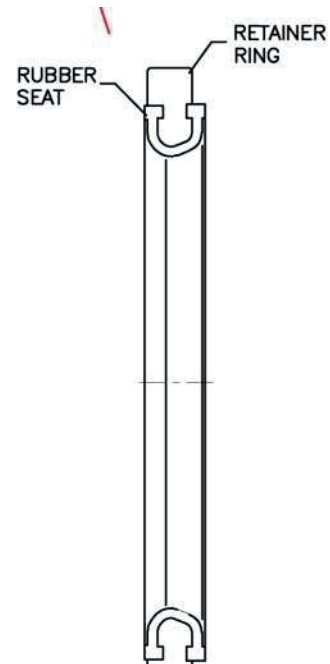
Rubber Seat

H-SERIES (PTFE & P287)



Teflon Seat

AV-O SERIES (VITON-SS400)



Rubber Seat
(Integral rubber seat with retainer ring)



VALVE **TURKIYE**

+90 232 616 17 19
valves@adamarine.com

VALVE **EUROPE**

+31 180 22 4000
valves.nl@adamarine.com

VALVE **ASIA**

+86 186 2606 6553
valves.ch@adamarine.com

SIZE		JIS 10K			JIS 16K			JIS 20K			BS 4504 PN25			BS 4504 PN40		
inch	mm	C	n	h	C	n	h	C	n	h	C	n	h	C	n	h
2"	50	120	4	19	120	8	19	120	8	19	125	4	18	125	4	18
2.5"	65	140	4	19	140	8	19	140	8	19	145	4	18	145	4	18
3"	80	150	8	19	160	8	23	160	8	23	160	8	18	160	8	18
4"	100	175	8	19	185	8	23	185	8	23	190	8	22	190	8	22
5"	125	210	8	23	225	8	25	225	8	25	220	8	26	220	8	26
6"	150	240	8	23	260	12	25	260	12	25	250	8	26	250	8	30
8"	200	290	12	23	305	12	25	305	12	25	310	12	26	320	12	33
10"	250	355	12	25	380	12	27	380	12	27	370	12	30	385	12	33
12"	300	400	16	25	430	16	27	430	16	27	430	16	30	450	16	36
14"	350	445	16	25	480	16	33	480	16	33	490	16	33	510	16	39
16"	400	510	16	27	540	16	33	540	16	33	550	16	36	585	16	39
18"	450	565	20	27	605	20	33	605	20	33	600	20	36	610	20	42
20"	500	620	20	27	660	20	33	660	20	33	660	20	36	670	20	48
22"	550	680	20	33	720	20	39	720	20	39	-	-	-	-	-	-
24"	600	730	24	33	770	24	39	770	24	39	770	20	39	795	20	48
26"	650	780	24	33	820	24	39	850	24	48	-	-	-	-	-	-
28"	700	840	24	33	875	24	42	900	24	48	275	24	42	900	24	48
30"	750	900	24	33	935	24	42	970	24	56	-	-	-	-	-	-
32"	800	950	28	33	990	24	48	1030	24	56	990	24	48	-	-	-
36"	900	1050	28	33	1090	28	48	1140	28	56	-	-	-	-	-	-
38"	950	-	-	-	-	-	-	-	-	-	1090	28	48	-	-	-
40"	1000	1160	28	39	1210	28	56	-	-	-	-	-	-	-	-	-
44"	1100	1270	28	39	1310	32	56	-	-	-	1210	28	55	-	-	-
48"	1200	1380	32	39	1420	32	56	-	-	-	-	-	-	-	-	-
52"	1300	-	-	-	1530	32	62	-	-	-	-	-	-	-	-	-
54"	1350	1540	36	46	1590	32	62	-	-	-	-	-	-	-	-	-
56"	1400	-	-	-	1640	36	62	-	-	-	-	-	-	-	-	-
60"	1500	1700	40	46	1750	36	62	-	-	-	-	-	-	-	-	-

VALVE TURKIYE

+90 232 616 17 19
valves@adamarine.com

VALVE EUROPE

+31 180 22 4000
valves.nl@adamarine.com

VALVE ASIA

+86 186 2606 6553
valves.ch@adamarine.com

TORQUE DETAILS

88

AV-H SERIES VALVES (DOUBLE ECCENTRIC HIGH PERFORMANCE VALVES)

SIZE		WORKING PRESSURE (bar)								
		5 BAR			10 BAR			16 BAR		
inch	mm	kgf-m	Nm	lbf.ft	kg-m	Nm	lbf.ft	kg-m	Nm	lbf.ft
2"	50	1.12	11	8.12	1.36	13.32	9.82	2.13	20.85	15.38
2.5"	65	1.65	16.21	11.96	2.25	22.01	16.23	2.72	26.64	19.65
3"	80	2.36	23.16	17.08	3.43	33.59	24.77	4.73	46.33	34.17
4"	100	4.37	42.85	31.61	5.79	56.75	41.86	7.56	74.12	54.67
5"	125	7.68	75.28	55.53	9.45	92.65	68.34	12.41	121.61	89.69
6"	150	13.00	127.40	93.97	18.91	185.31	136.68	24.82	243.22	179.39
8"	200	29.55	289.55	213.56	34.27	335.87	247.73	41.36	405.36	298.98
10"	250	37.82	370.62	273.35	53.18	521.18	384.40	65.00	637.00	469.83
12"	300	52.00	509.60	375.86	72.09	706.49	521.08	92.00	901.60	664.99
14"	350	73.27	718.07	529.62	102.82	1007.62	743.18	129.00	1264.20	932.43
16"	400	96.91	949.71	700.47	137.09	1343.49	990.91	173.00	1695.40	1250.46
18"	450	117.00	1146.60	845.69	178.45	1748.85	1289.89	230.00	2254.00	1662.46
20"	500	152.45	1494.05	1101.96	248.18	2432.18	1793.89	300.00	2940.00	2168.43
22"	550	205.64	2015.24	1486.36	281.27	2756.47	2033.07	404.00	3959.20	2920.16
24"	600	263.55	2582.75	1904.94	329.00	3224.20	2378.05	497.00	4870.60	3592.37
26"	650	328.55	3219.75	2374.76	405.00	3969.00	2927.38	614.00	6017.20	4438.06
28"	700	395.91	3879.91	2861.67	484.00	4743.20	3498.40	734.00	7193.20	5305.43
30"	750	475.09	4655.89	3434.01	554.00	5429.20	4004.37	941.00	9221.80	6801.65
32"	800	569.64	5582.44	4117.39	800.09	7840.89	5783.14	1218.45	11940.85	8807.12
34"	850	633.45	6207.85	4578.68	963.18	9439.18	6961.98	1562.36	15311.16	11292.93
36"	900	702.00	6879.60	5074.13	1129.82	110072.22	8166.45	1908.64	18704.64	13795.83
40"	1000	958.45	9392.85	6927.81	1499.73	14697.22	10840.19	2542.09	24912.49	18374.51
44"	1100	1275.18	12496.78	9217.15	1974.82	19353.22	14274.20	3336.27	32695.47	24114.94
48"	1200	1654.55	16214.55	11959.23	2542.09	24912.49	18374.51	4299.45	42134.65	31076.92
52"	1300	1861.12	18239.00	13452.40	3556.91	34857.73	25709.74	5591.81	54799.73	40418.20
56"	1400	2464.33	24150.45	17812.46	4706.05	46119.27	34015.83	7396.25	72483.27	53460.91
60"	1500	3023.89	29634.09	21856.98	5754.61	56395.18	41594.95	9031.50	88508.73	65280.68



VALVE **TURKIYE**

+90 232 616 17 19
valves@adamarine.com

VALVE **EUROPE**

+31 180 22 4000
valves.nl@adamarine.com

VALVE **ASIA**

+86 186 2606 6553
valves.ch@adamarine.com

AV-O SERIES VALVES (DOUBLE ECCENTRIC CARGO OIL VALVES)

SIZE		WORKING PRESSURE (bar)								
		5 BAR			10 BAR			16 BAR		
inch	mm	kgf-m	Nm	lbf.11	kg-m	Nm	lbf.11	kg-m	Nm	lbf.11
2"	50	1.03	10.09	7.44	1.19	11.68	8.61	1.85	18.15	13.39
2.5"	65	1.52	14.86	10.96	1.95	19.11	14.09	2.38	23.36	17.23
3"	80	2.22	21.76	16.05	2.95	28.88	21.30	4.16	40.77	30.07
4"	100	4.01	39.28	28.97	5.03	49.26	36.33	6.59	64.55	47.61
5"	125	7.04	69.01	50.90	7.58	74.32	54.81	10.83	106.17	78.30
6"	150	11.92	116.78	86.13	16.03	157.13	115.89	21.67	212.33	156.61
8"	200	26.54	260.11	191.85	31.25	306.25	225.88	41.65	408.21	301.08
10"	250	34.67	339.73	250.57	45.93	450.15	332.01	56.33	552.07	407.18
12"	300	47.13	461.83	340.62	62.40	611.52	451.03	94.47	925.77	628.82
14"	350	67.17	658.23	485.49	89.27	874.81	645.23	132.60	1299.48	958.45
16"	400	89.92	881.18	649.93	119.60	1172.08	864.48	178.53	1749.63	1290.46
18"	450	107.25	1051.05	775.21	155.13	1520.31	1121.32	237.47	2327.17	1716.43
20"	500	139.75	1369.55	1010.13	216.67	2123.33	1566.09	309.40	3032.12	2236.38
22"	550	200.42	1964.08	1448.63	273.00	2675.40	1973.27	411.67	4034.33	2975.57
24"	600	316.33	3100.07	2286.49	338.87	3320.89	2449.37	472.80	4633.44	3417.45
26"	650	322.83	3163.77	2333.47	413.40	4051.32	2988.10	626.60	6140.68	4529.13
28"	700	362.92	3556.58	2623.20	499.20	4892.16	3608.27	698.40	6844.32	5048.11
30"	750	463.67	4543.93	3351.43	593.67	5817.93	4291.09	848.47	8314.97	6132.81
32"	800	520.00	5096.00	3758.62	698.53	6845.63	5049.07	1063.40	10421.32	7686.37
34"	850	606.67	5945.33	4385.05	828.53	8119.63	5988.73	1105.22	10831.12	7988.63
36"	900	812.50	7962.50	5872.84	984.53	9648.43	7116.31	1603.33	15712.67	11589.07
40"	1000	1031.33	10107.07	7454.59	1144.00	11211.20	8268.96	1902.33	18642.87	13750.27

VALVE TURKIYE

+90 232 616 17 19
valves@adamarine.com

VALVE EUROPE

+31 180 22 4000
valves.nl@adamarine.com

VALVE ASIA

+86 186 2606 6553
valves.ch@adamarine.com





INDIAN OCEAN

The Indian Ocean touches 4 continents, namely Asia, Africa, Australia and Antarctica. Thanks to its cosmopolitan characteristic, it has hosted many innovations, religious and commercial developments since the first years of human history. It is located in the centre of the world's richest cultural area and offers comfortable routes for seafarers.

We continue to be the point of trust on the shore for the technical and safety comfort of hardworking seafarers.

TECHNICAL CAPABILITIES, RICH EXPERIENCE...

adamarine.com

